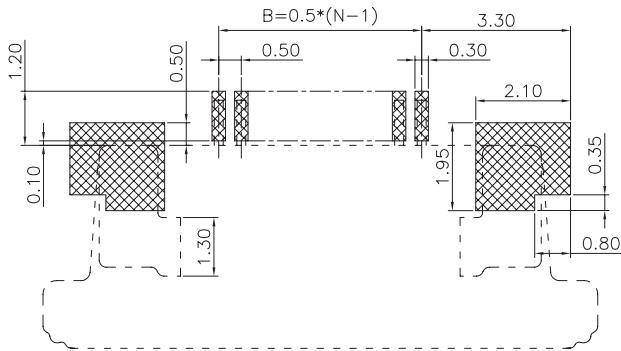


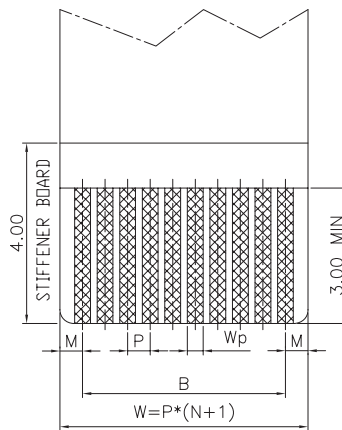
SECTION A-A
SCALE 1:1



RECOMMEND PCB LAYOUT SIZE±0.05

	FPC	FFC
M	0.5±0.05	0.5±0.05
P	0.5±0.03	0.5±0.03
B	B±0.05	B±0.05
W	W±0.07	W±0.07
Wp	0.35±0.03	0.30±0.03

APPLICABLE FPC/FFC DIMENSION
THICKNESS:T=0.30±0.05



NO.	COMPONENTS	MATERIALS	SPECIFICATION:FINISH/COLOR	QTY.
1	SLIDER	GLASS FILLED PA9T, UL94V-0	BLACK	1
2	HOUSING	GLASS FILLED LCP, UL94V-0	NATURAL	1
3	ANCHOR-PLATE	BRASS, T=0.20mm	SURFACE PLATING:2~5 um Sn UNDER PLATING:1~3 um Ni	2
4	CONTACT	PHOSPHOR BRONZE, T=0.20mm	SURFACE PLATING:SEE "NOTE" UNDER PLATING:1~3 um Ni	N

NOTE:

1.ALL MATERIAL MUST BE COMPLY WITH SS-00259 OR RoHS.

2.PART NO. LEGEND:

F313-1A**1-110**

NO. OF POSITIONS

7H:PHOSPHOR BRONZE
0.05um MIN Au(Au Area)

7A:PHOSPHOR BRONZE
MATTER TIN

1A:LCP NATURAL

DIMENSION LIST:

NO. OF POS.	A	B	C	D	NO. OF POS.	A	B	C	D
4	6.30	1.50	2.60	0.16	38	23.30	18.50	19.60	0.21
5	6.80	2.00	3.10		39	23.80	19.00	20.10	
6	7.30	2.50	3.60		40	24.30	19.50	20.60	
7	7.80	3.00	4.10		41	24.80	20.00	21.10	
8	8.30	3.50	4.60		42	25.30	20.50	21.60	
9	8.80	4.00	5.10		43	25.80	21.00	22.10	
10	9.30	4.50	5.60		44	26.30	21.50	22.60	
11	9.80	5.00	6.10		45	26.80	22.00	23.10	
12	10.30	5.50	6.60		46	27.30	22.50	23.60	
13	10.80	6.00	7.10		47	27.80	23.00	24.10	
14	11.30	6.50	7.60		48	28.30	23.50	24.60	
15	11.80	7.00	8.10		49	28.80	24.00	25.10	
16	12.30	7.50	8.60		50	29.30	24.50	25.60	
17	12.80	8.00	9.10		51	29.80	25.00	26.10	
18	13.30	8.50	9.60		52	30.30	25.50	26.60	
19	13.80	9.00	10.10		53	30.80	26.00	27.10	
20	14.30	9.50	10.60	54	31.30	26.50	27.60		
21	14.80	10.00	11.10	55	31.80	27.00	28.10		
22	15.30	10.50	11.60	56	32.30	27.50	28.60		
23	15.80	11.00	12.10	57	32.80	28.00	29.10		
24	16.30	11.50	12.60	58	33.30	28.50	29.60		
25	16.80	12.00	13.10	59	33.80	29.00	30.10		
26	17.30	12.50	13.60	60	34.30	29.50	30.60		
27	17.80	13.00	14.10						
28	18.30	13.50	14.60						
29	18.80	14.00	15.10						
30	19.30	14.50	15.60						
31	19.80	15.00	16.10						
32	20.30	15.50	16.60						
33	20.80	16.00	17.10						
34	21.30	16.50	17.60						
35	21.80	17.00	18.10						
36	22.30	17.50	18.60						
37	22.80	18.00	19.10						

△	DATE	ECR	冠泰电子有限公司 CHAMPWAY ELECTRONICS CO., LTD.				PART NAME: FPC P0.5 CONN ZIF R/A TYPE SMT(BOTTOM CONTACT)				S/C NO		TOLERANCE:	
△	120703	增70PIN规格					APPROVAL				DATE	REV	SCALE	UNIT
△			ROY	ZHENGXIAN.YE	ROBIN	DRAWING NO	A1	N/A	mm	1/2	.X ±0.30	.XX ±3°		
△						A-S0002	120703				.XX ±0.20	.X ±2°		
△											.XXX ±0.10	.XX ±1°		

PART NUMBER: F313-1A**1-110**											
DATE: 120703											