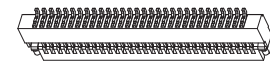
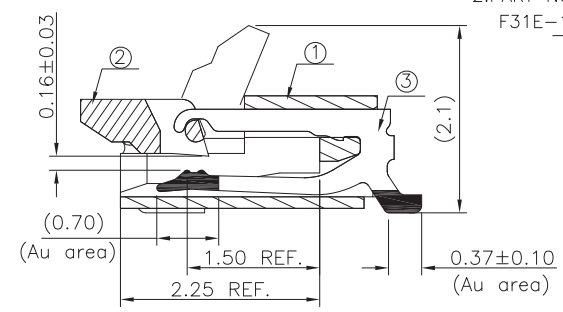


NO.	COMPONENTS	MATERIALS	SPECIFICATION:FINISH/COLOR	QTY.
1	HOUSING	HIGHT-TEMP PLASTIC UL94V-0	NATURAL	1
2	ACTUATOR	HIGHT-TEMP PLASTIC UL94V-0	BLACK	1
3	CONTACT	COPPER ALLOY T=0.15mm	SURFACE PLATING: Au PLATING UNDER PLATING: 1~3μm Ni	N
4	ANCHOR-PLATE	COPPER ALLOY T=0.15mm	SURFACE PLATING: TIN PLATING OVER ALL UNDER PLATING: 1~3μm Ni	2

NOTE:
1. ALL MATERIAL MUST BE COMPLY WITH GGP-001 OR RoHS.

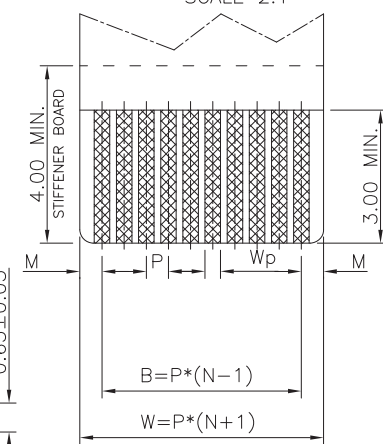
2. PART NO. LEGEND:
F31E-1A7H1-210**
NO. OF POSITIONS
7A: PHOSPHOR BRONZE
MATTER TIN
7H: PHOSPHOR BRONZE
0.05um MIN Au (Au Area)
1A: LCP NATURAL



Halogen free

DIMENSION LIST:

NO. OF POS.	A	B	C	D
4	2.55	1.50	3.77	3.27
5	3.05	2.00	4.27	3.77
6	3.55	2.50	4.77	4.27
7	4.05	3.00	5.27	4.77
8	4.55	3.50	5.77	5.27
9	5.05	4.00	6.27	5.77
10	5.55	4.50	6.77	6.27
11	6.05	5.00	7.27	6.77
12	6.55	5.50	7.77	7.27
13	7.05	6.00	8.27	7.77
14	7.55	6.50	8.77	8.27
15	8.05	7.00	9.27	8.77
16	8.55	7.50	9.77	9.27
17	9.05	8.00	10.27	9.77
18	9.55	8.50	10.77	10.27
19	10.05	9.00	11.27	10.77
20	10.55	9.50	11.77	11.27
21	11.05	10.00	12.27	11.77
22	11.55	10.50	12.77	12.27
23	12.05	11.00	13.27	12.77
24	12.55	11.50	13.77	13.27
25	13.05	12.00	14.27	13.77
26	13.55	12.50	14.77	14.27
27	14.05	13.00	15.27	14.77
28	14.55	13.50	15.77	15.27
29	15.05	14.00	16.27	15.77
30	15.55	14.50	16.77	16.27



	FPC	FFC
M	0.5±0.05	0.5±0.05
P	0.5±0.03	0.5±0.03
B	B±0.05	B±0.05
W	W±0.07	W±0.07
Wp	0.35±0.03	0.30±0.05

APPLICABLE FPC/FFC DIMENSION
THICKNESS: T=0.30±0.05

RECOMMEND PCB LAYOUT SIZE

△	DATE	ECR	冠泰电子有限公司 CHAMPWAY ELECTRONICS CO., LTD.		PART NAME: FPC/FFC PH0.50 H1.25 CONN. ZIF R/A FLIP TYPE SMT					S/C NO		TOLERANCE:		
△					PART NUMBER: F31E-1A7H1-210**							X. ±0.50	X.* ±4'	
△			APPROVAL	CHECKED	DRAWING	DRAWING NO	DATE	REV	SCALE	UNIT	NO.		.XX ±0.20	
△			ROY	zhengxian.ye	Henry	A-S0062	130411	A	N/A	mm	1/1		.XXX ±0.10	