

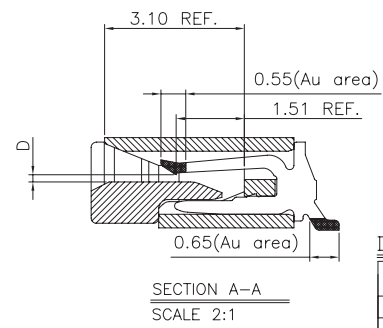
NO.	COMPONENTS	MATERIALS	SPECIFICATION:FINISH/COLOR	QTY.
1	ACTUATOR	GLASS FILLED PA9T, UL94V-0	BLACK	1
2	HOUSING	GLASS FILLED LCP, UL94V-0	NATURAL	1
3	ANCHOR-PLATE	BRASS, T=0.20mm	SURFACE PLATING:2~5 um Sn UNDER PLATING:1~3 um Ni	2
4	CONTACT	PHOSPHOR BRONZE, T=0.20mm	SURFACE PLATING:SEE "NOTE" UNDER PLATING:1~3 um Ni	N

NOTE:
1.ALL MATERIAL MUST BE COMPLY WITH
GGP-001/SS-00259/RoHS.
2.PART NO. LEGEND:
F312-1A**1-110**

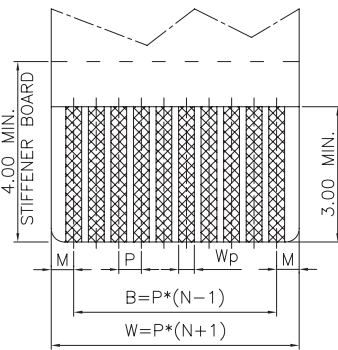
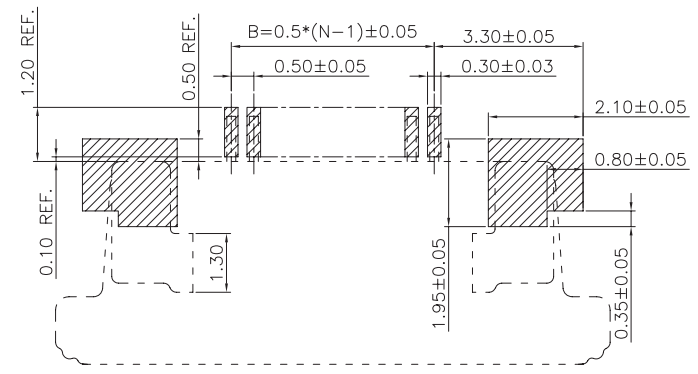
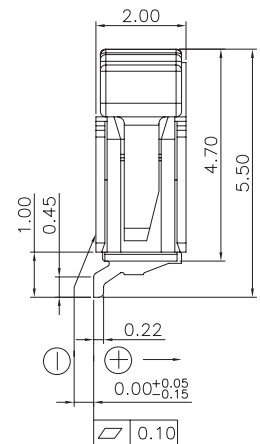
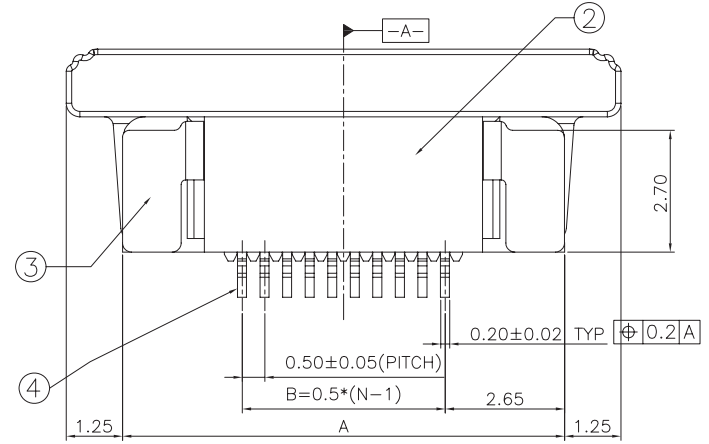
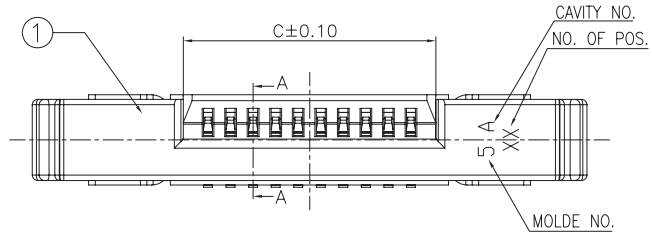
NO. OF POSITIONS
7H:PHOSPHOR BRONZE
0.05um MIN Au(Au Area)
7A:PHOSPHOR BRONZE
2~5um Sn
1A:LCP NATURAL

DIMENSION LIST:

NO. OF POS.	A	B	C	D	NO. OF POS.	A	B	C	D
4	6.80	1.50	2.60	0.16	33	21.30	16.00	17.10	0.21
5	7.30	2.00	3.10		34	21.80	16.50	17.60	
6	7.80	2.50	3.60		35	22.30	17.00	18.10	
7	8.30	3.00	4.10		36	22.80	17.50	18.60	
8	8.80	3.50	4.60		37	23.30	18.00	19.10	
9	9.30	4.00	5.10		38	23.80	18.50	19.60	
10	9.80	4.50	5.60		39	24.30	19.00	20.10	
11	10.30	5.00	6.10		40	24.80	19.50	20.60	
12	10.80	5.50	6.60		41	25.30	20.00	21.10	
13	11.30	6.00	7.10		42	25.80	20.50	21.60	
14	11.80	6.50	7.60		43	26.30	21.00	22.10	
15	12.30	7.00	8.10		44	26.80	21.50	22.60	
16	12.80	7.50	8.60		45	27.30	22.00	23.10	
17	13.30	8.00	9.10	46	27.80	22.50	23.60		
18	13.80	8.50	9.60	47	28.30	23.00	24.10		
19	14.30	9.00	10.10	48	28.80	23.50	24.60		
20	14.80	9.50	10.60	49	29.30	24.00	25.10		
21	15.30	10.00	11.10	50	29.80	24.50	25.60		
22	15.80	10.50	11.60	51	30.30	25.00	26.10		
23	16.30	11.00	12.10	52	30.80	25.50	26.60		
24	16.80	11.50	12.60	53	31.30	26.00	27.10		
25	17.30	12.00	13.10	54	31.80	26.50	27.60		
26	17.80	12.50	13.60	55	32.30	27.00	28.10		
27	18.30	13.00	14.10	56	32.80	27.50	28.60		
28	18.80	13.50	14.60	57	33.30	28.00	29.10		
29	19.30	14.00	15.10	58	33.80	28.50	29.60		
30	19.80	14.50	15.60	59	34.30	29.00	30.10		
31	20.30	15.00	16.10	60	34.80	29.50	30.60		
32	20.80	15.50	16.60						



	FPC	FFC
M	0.5±0.05	0.5±0.05
P	0.5±0.03	0.5±0.03
B	B±0.05	B±0.05
W	W±0.07	W±0.07
Wp	0.35±0.03	0.30±0.05



RECOMMEND PCB LAYOUT SIZE

APPLICABLE FPC/FFC DIMENSION
THICKNESS:T=0.30±0.05

△	DATE	ECR			PART NAME: FPC/FFC PH0.50 H2.00mm CONN. ZIF R/A UPPER CONTACT SMT					S/C NO		TOLERANCE:		
△					PART NUMBER: F312-1A**1-110**							X. ±0.50	X.* ±4*	
△			APPROVAL	CHECKED	DRAWING	DRAWING NO	DATE	REV	SCALE	UNIT	NO.		.XX ±0.20	
△			Roy	Zhengxian.ye	Henry	A-S0001	121227	A	N/A	mm	1/1		.XXX ±0.10	