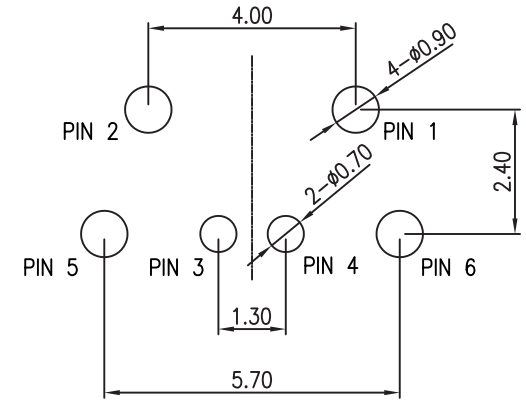
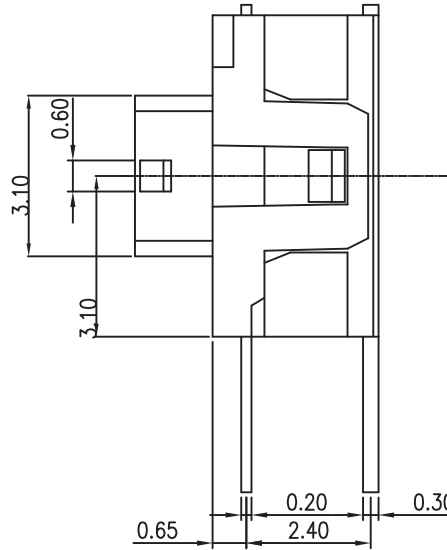
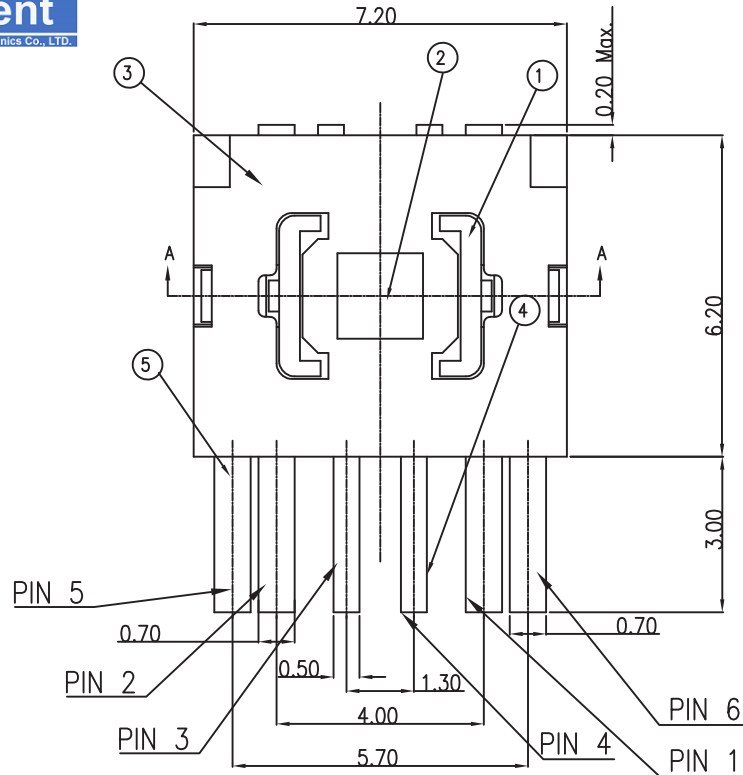


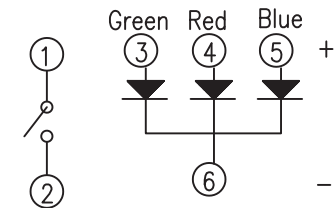
Patent

Champway Electronics Co., LTD.

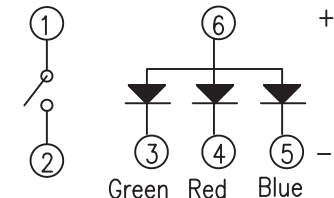
REV	Q'TY	ECN. NO.	APPD
X0		NEW DESIGN	



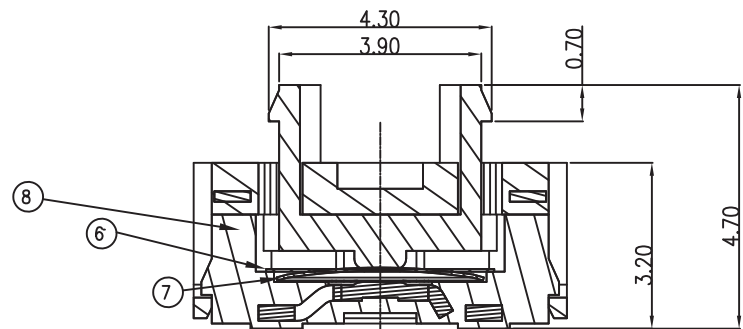
PCB LAYOUT
(TOP VIEW)



CIRCUIT-COMMON CATHODE



CIRCUIT-COMMON ANODE



截面 A-A

LS67 AH - □□ Q-R

- R=Package:Reel
- Q=Halogen-free
- B=160gf
- C=260gf
- N=Common Cathode
- P=Common Anode
- X=Without LED
- H=Through hole
- A=Right Angle
- RGB Series

8	BASE	NYLON	COLOR:BLACK
7	CONTACT	STAINLESS	SILVER PLATED OVER NICKEL UNDER PLATING
6	TAPE	POLYIMIDE	
5	TERMINAL	BRASS	SILVER PLATED OVER NICKEL UNDER PLATING
4	LED TERMINAL	PHSOSPHOR BRONZE	SILVER PLATED OVER NICKEL UNDER PLATING
3	COVER	NYLON	COLOR:BLACK
2	LED		SEE LED MATERIALS TABLE
1	STEM	NYLON	COLOR:BLACK
ITEM	DESCRIPTION	MATERIAL	FINISHED,REMARKED

CHAMPWAY 冠泰電子有限公司
CHAMPWAY ELECTRONICS CO., LTD

		INTENDED USE: RIGHT ANGLE LED SWITCH	TITLE: FULL COLOR RGB LED TACT SWITCH
.XX: ±0.2	.XX': ±2.0'	APPD.: Benson Lin 10-Apr-18	DWG. NO.: LS67AH-□□Q-R
MATL.:		CHKD.:	SCALE: 10:1 PAGE: 1/1
FINISH:		DR.: Benson Lin 10-Apr-18	UNIT: mm REV.: X0