

F

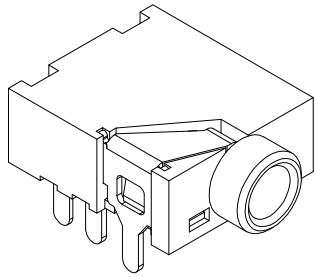
E

D

C

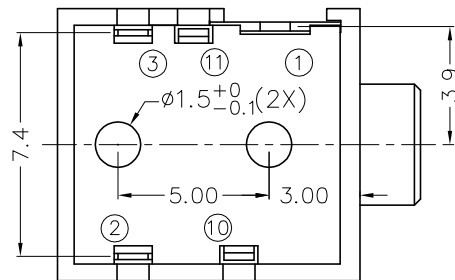
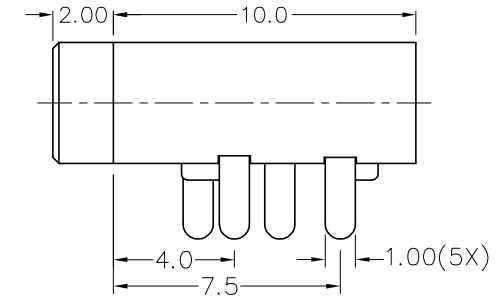
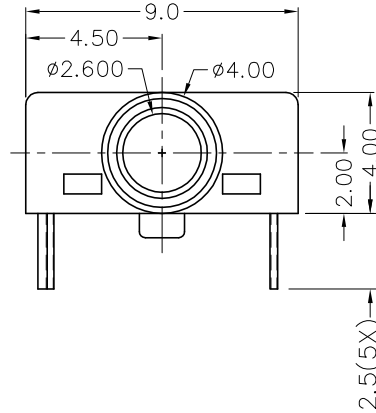
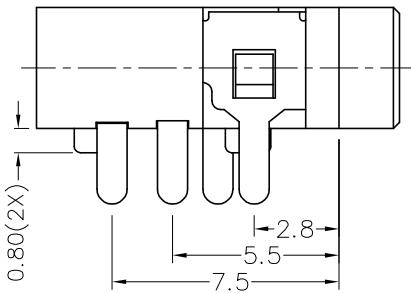
B

A



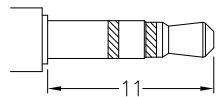
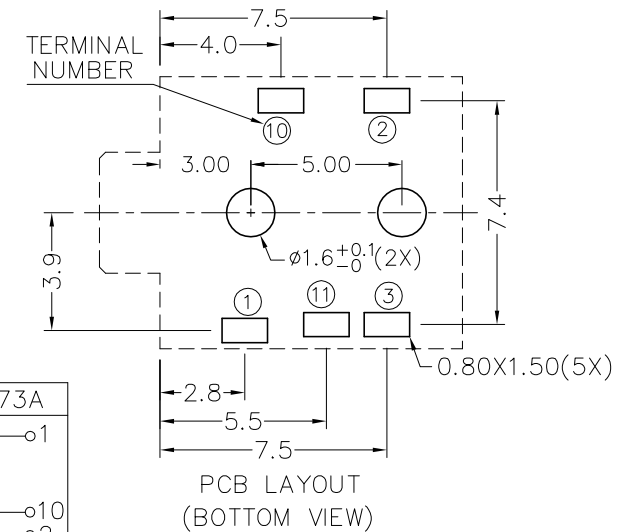
RoHS  
Compliant

ZONE	SYMBOL	REVISION	APPROVAL	DATE
		ADD MODEL NO.	J.X.KUANG	9-12-2006



\* MATERIAL

TERMINAL 1 : COPPER ALLOY  
 TERMINAL 2 : COPPER ALLOY  
 TERMINAL 3 : COPPER ALLOY  
 TERMINAL 10 : BRASS  
 TERMINAL 11 : BRASS  
 HOUSING : PA66  
 COVER : PA66



MODEL NO.	TG-2675	TG-2674A	TG-2674B	TG-2673	TG-2673A
SCHEMATIC					



**CHAMPWAY** 冠泰電子有限公司  
 CHAMPWAY ELECTRONICS CO., LTD.

DESIGN	J.M.KWAN	DATE	1-10-2003	SCALE	4:1
DRAWING	L.L.ZHANG	DATE	9-12-2006	MATERIAL	*
CHECK		DATE		DWG. NO.	TZ\TG267-PA66/C
APPROVAL		DATE		SHEET	

PART NAME	2.5mm STEREO JACK	TOLERANCE UNLESS	0.0±0.2	UNIT:
PART NO.	TG-267	OTHERWISE SPECIFIED:	0.00±0.1 0.000±0.05	

F

E

D

C

B

A

DCF-04/A