

F

E

D

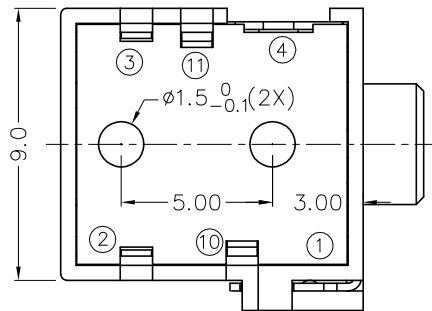
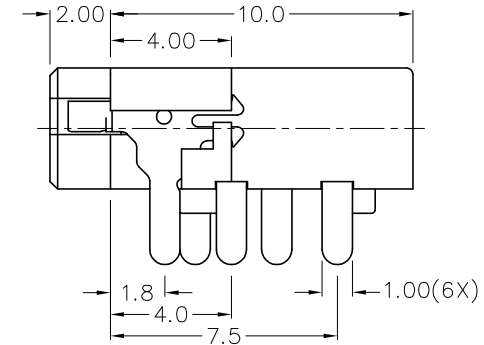
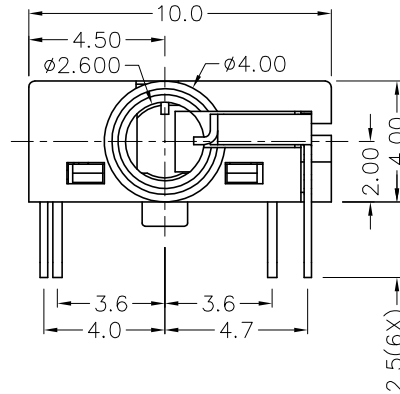
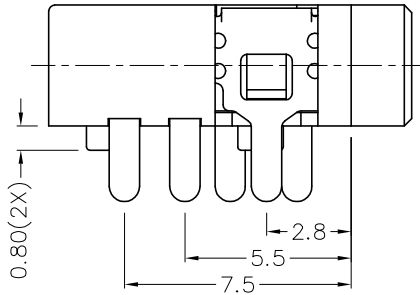
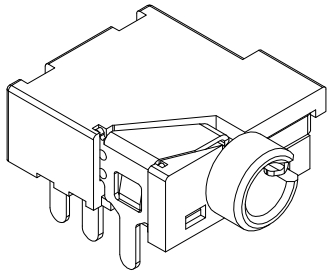
C

B

A

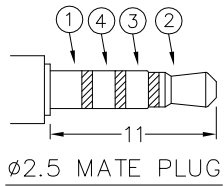
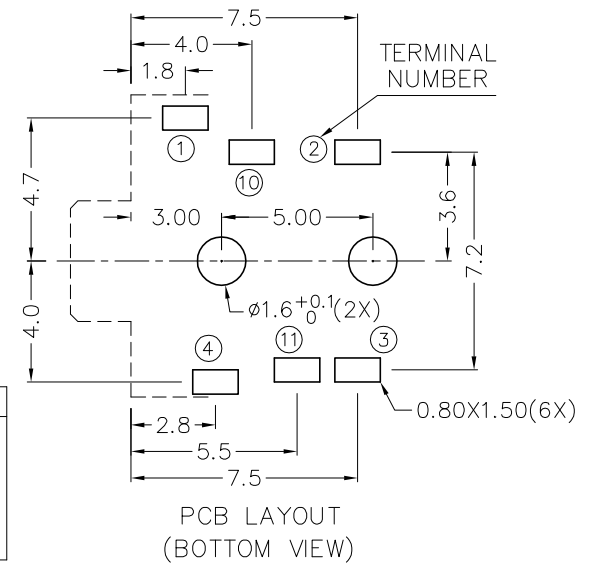
ZONE	SYMBOL	REVISION	APPROVAL	DATE
		ADD RoHS Compliant	J.X.KUANG	8-8-2006

RoHS  
Compliant



\* MATERIAL

TERMINAL 1 : COPPER ALLOY  
 TERMINAL 2 : COPPER ALLOY  
 TERMINAL 3 : COPPER ALLOY  
 TERMINAL 4 : COPPER ALLOY  
 TERMINAL 10 : BRASS  
 TERMINAL 11 : BRASS  
 HOUSING : PA66  
 COVER : PA66



MODEL NO.	TG-2716	TG-2715A	TG-2715B	TG-2714
SCHEMATIC				



**CHAMPWAY** 冠泰電子有限公司  
 CHAMPWAY ELECTRONICS CO., LTD.

DESIGN	T.Y.LI	DATE	19-12-2003	SCALE	4:1
DRAWING	T.Y.LI	DATE	8-8-2006	MATERIAL	*
CHECK		DATE		DWG. NO.	TZ\TG271-PA66/B
APPROVAL		DATE		SHEET	

PART NAME	2.5mm STEREO JACK	TOLERANCE UNLESS	0.0±0.2	UNIT:	
PART NO.	TG-271	OTHERWISE SPECIFIED:	0.00±0.1 0.000±0.05	mm	

F

E

D

C

B

A

DCF-04/A