

F

E

D

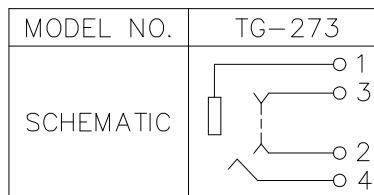
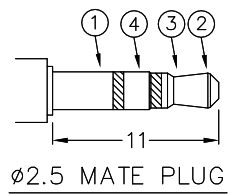
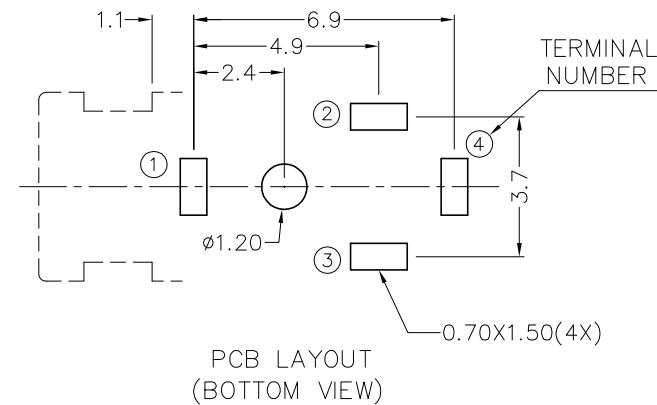
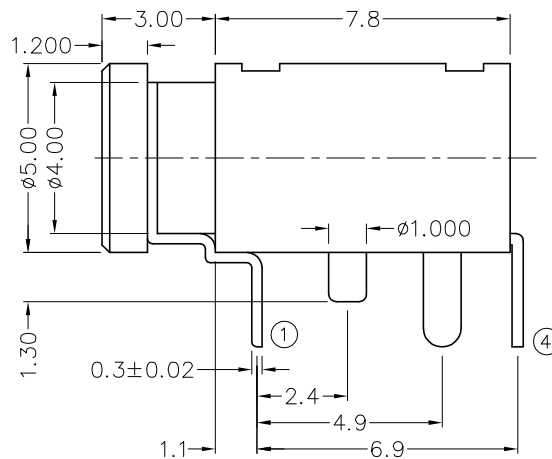
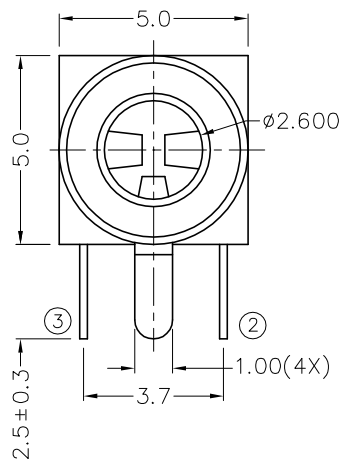
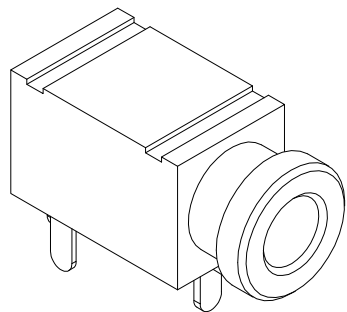
C

B

A

RoHS
Compliant

ZONE	SYMBOL	REVISION	APPROVAL	DATE
		ADD MATE PLUG	J.X.KUANG	18-9-2006



*MATERIAL

TERMINAL 1 : BRASS
 TERMINAL 2 : COPPER ALLOY
 TERMINAL 3 : COPPER ALLOY
 TERMINAL 4 : COPPER ALLOY
 BUSHING : BRASS
 HOUSING : PBT



CHAMPWAY 冠泰電子有限公司
 CHAMPWAY ELECTRONICS CO., LTD.

PART NAME	2.5mm STEREO JACK	TOLERANCE UNLESS	0.0±0.2	UNIT:
PART NO.	TG-273	OTHERWISE SPECIFIED:	0.00±0.1 0.000±0.05	

DESIGN	T.Y.LI	DATE	15-6-2005	SCALE	5:1
DRAWING	L.L.ZHANG	DATE	18-9-2006	MATERIAL	*
CHECK		DATE		DWG. NO.	TZ\TG273-PBT/D
APPROVAL		DATE		SHEET	

F

E

D

C

B

A

DCF-04/A