

F

E

D

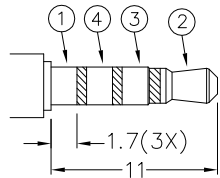
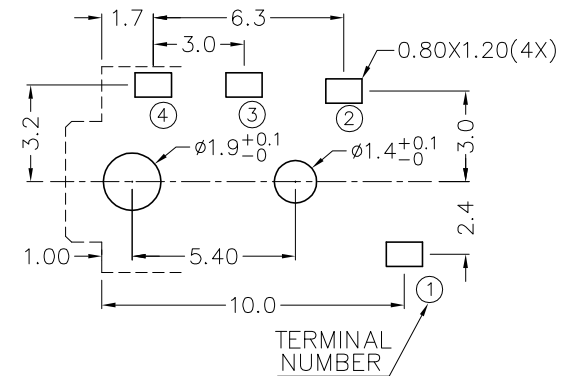
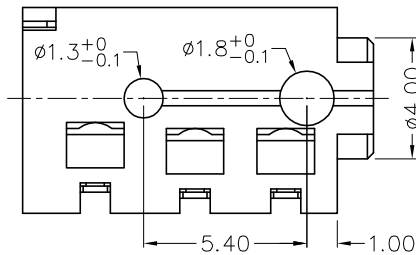
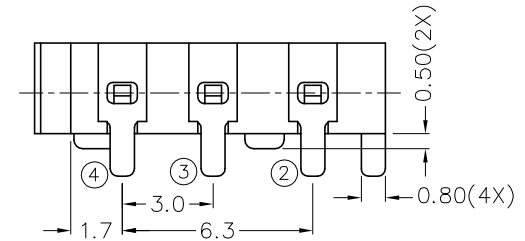
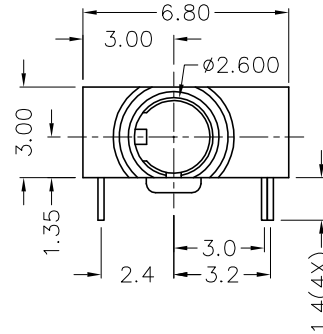
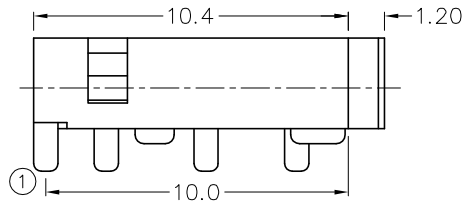
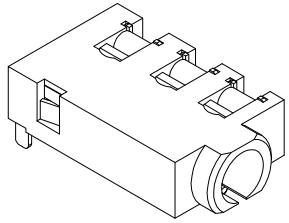
C

B

A

ZONE	SYMBOL	REVISION	APPROVAL	DATE
		ADD RoHS Compliant	J.X.KUANG	8-8-2006

RoHS
Compliant



ø2.5 SPECIAL MATE PLUG

MODEL NO.	TG-2754
SCHEMATIC	

* MATERIAL

TERMINAL 1 : COPPER ALLOY
 TERMINAL 2 : COPPER ALLOY
 TERMINAL 3 : COPPER ALLOY
 TERMINAL 4 : COPPER ALLOY
 HOUSING : PA66



CHAMPWAY 冠泰電子有限公司
 CHAMPWAY ELECTRONICS CO., LTD.

PART NAME	2.5mm STEREO JACK	TOLERANCE UNLESS	0.0±0.2	UNIT:	mm	DESIGN	J.X.KUANG	DATE	1-10-2003	SCALE	4:1
PART NO.	TG-275	OTHERWISE SPECIFIED:	0.00±0.1 0.000±0.05				DRAWING	T.Y.LI	DATE	8-8-2006	MATERIAL
						CHECK		DATE		DWG. NO.	TZ\TG275-PA66/B
						APPROVAL		DATE		SHEET	

F

E

D

C

B

A

DCF-04/A