

F

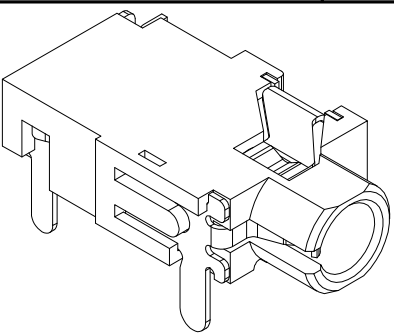
E

D

C

B

A

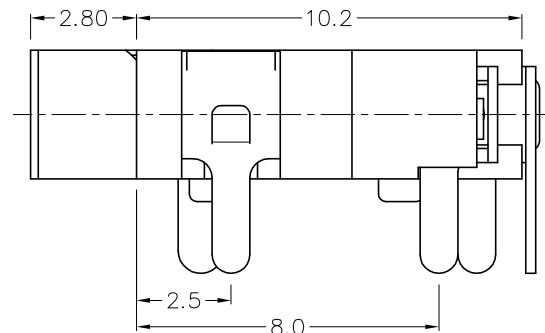
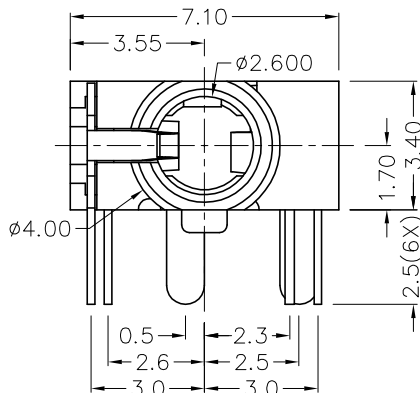
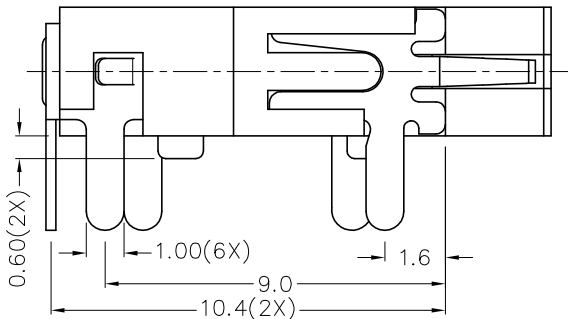


RoHS
Compliant

ZONE	SYMBOL	REVISION	APPROVAL	DATE
		ADD RoHS Compliant	J.X.KUANG	9-8-2006

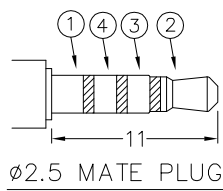
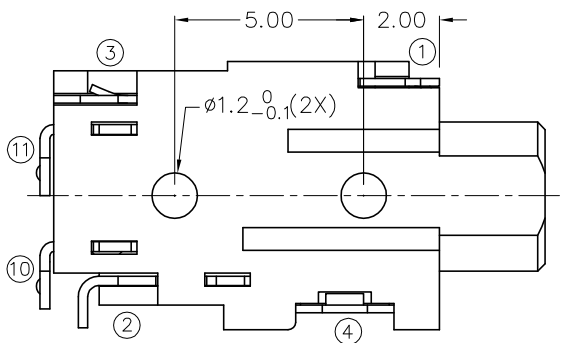
1

1



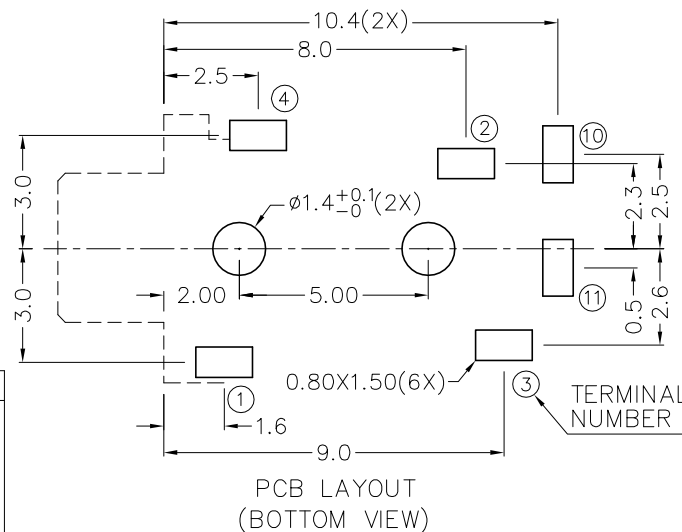
2

2



* MATERIAL

- TERMINAL 1 : COPPER ALLOY
- TERMINAL 2 : COPPER ALLOY
- TERMINAL 3 : COPPER ALLOY
- TERMINAL 4 : COPPER ALLOY
- TERMINAL 10 : BRASS
- TERMINAL 11 : BRASS
- HOUSING : PA66



3

3

MODEL NO.	TG-2796	TG-2795A	TG-2795B	TG-2795	TG-2794
SCHMATIC					

4

4



CHAMPWAY 冠泰電子有限公司
CHAMPWAY ELECTRONICS CO., LTD.

DESIGN	T.Y.LI	DATE	9-1-2003	SCALE	5:1
DRAWING	T.Y.LI	DATE	9-8-2006	MATERIAL	*
CHECK		DATE		DWG. NO.	TZ\TG279-PA66/B
APPROVAL		DATE		SHEET	

PART NAME	2.5mm STEREO JACK	TOLERANCE UNLESS	0.0±0.2	UNIT:	mm
PART NO.	TG-279	OTHERWISE SPECIFIED:	0.00±0.1 0.000±0.05		

F

E

D

C

B

A DCF-04/A