

F

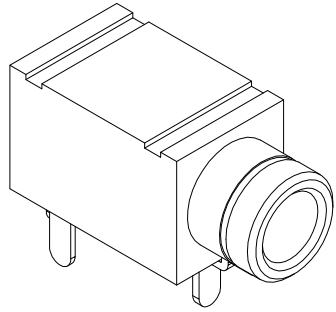
E

D

C

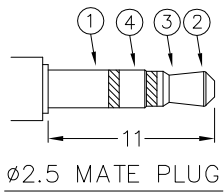
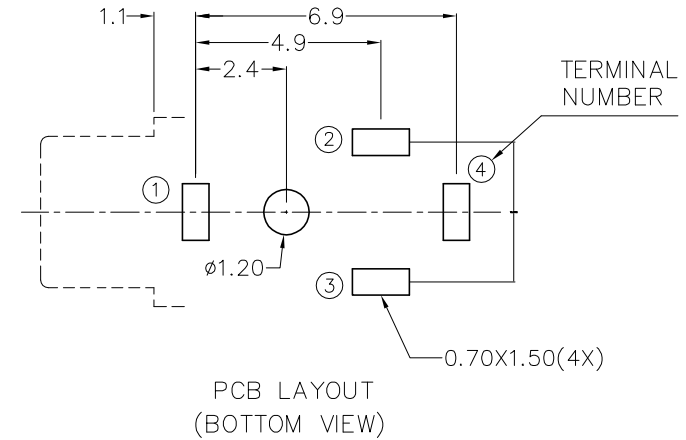
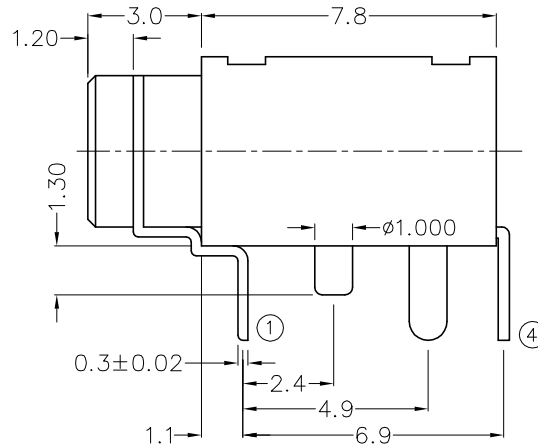
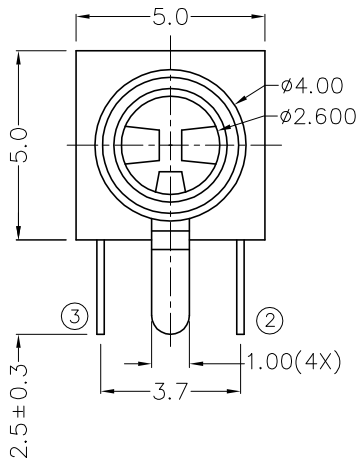
B

A



RoHS
Compliant

ZONE	SYMBOL	REVISION	APPROVAL	DATE
		ADD MATE PLUG	J.X.KUANG	2-5-2006



MODEL NO.	TG-255
SCHEMATIC	

*MATERIAL

TERMINAL 1 : BRASS
 TERMINAL 2 : COPPER ALLOY
 TERMINAL 3 : COPPER ALLOY
 TERMINAL 4 : COPPER ALLOY
 BUSHING : BRASS
 HOUSING : PBT

SPECIFICATIONS

- 1 Insulation resistance of adjacent open terminals shall not be less than 50 Megohms when measured with 500 Volts resistance meter.
- 2 Connector shall withstand 500 Volts (RMS) between adjacent open terminal for one minute.
- 3 Contact resistance of normally closed terminals shall not exceed 0.03 ohms when measured at a current of one Ampere by Voltage drop method.
- 4 Connector shall withstand 5,000 cycles of insertions and withdrawal with testing plug , contact resistance shall not exceed 0.1 ohm.



CHAMPWAY 冠泰電子有限公司
 CHAMPWAY ELECTRONICS CO., LTD.

DESIGN	T.Y.LI	DATE	15-6-2005	SCALE	5:1
DRAWING	T.Y.LI	DATE	2-5-2006	MATERIAL	*
PART NAME	2.5mm STEREO JACK		TOLERANCE UNLESS	0.0±0.2	DWG. NO. TZ\TG255-PBT/D
PART NO.	TG-255		OTHERWISE SPECIFIED:	0.00±0.1 0.000±0.05	
CHECK		DATE		SHEET	
APPROVAL		DATE			

F

E

D

C

B

A

DCF-04/A