

F

E

D

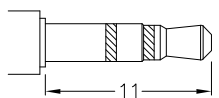
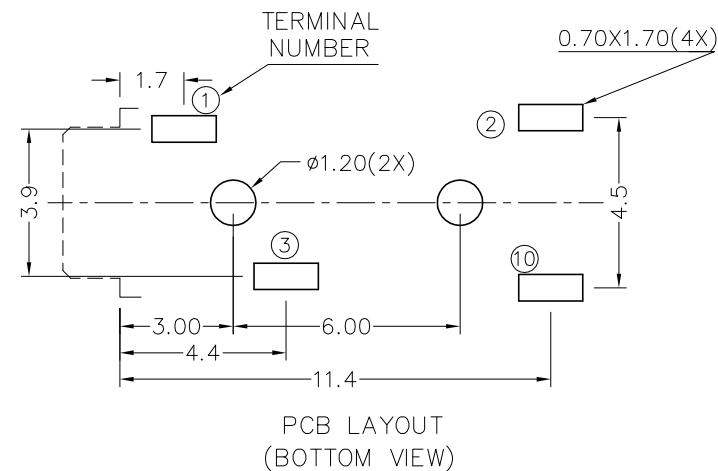
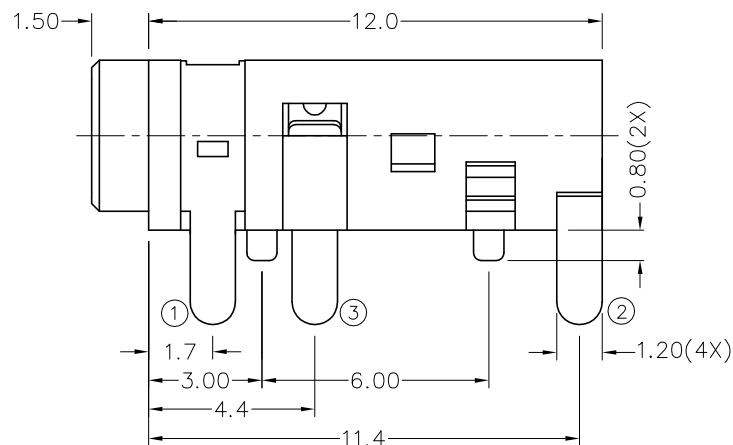
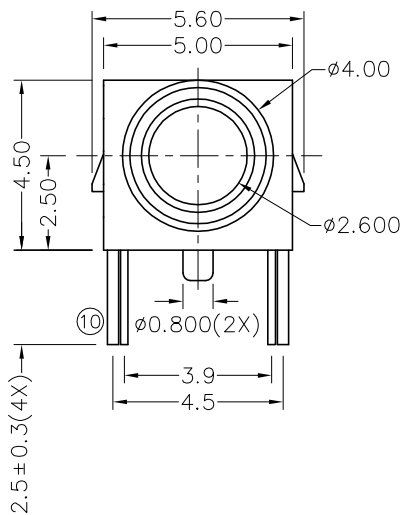
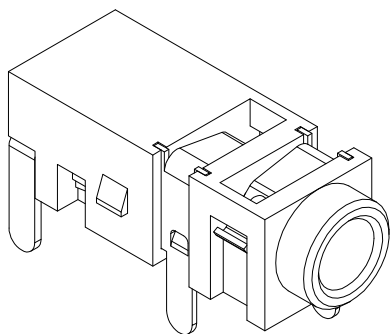
C

B

A

ZONE	SYMBOL	REVISION	APPROVAL	DATE
		ADD MATE PLUG	J.X.KUANG	4-8-2006

RoHS
Compliant



∅2.5 MATE PLUG

MODEL NO.	TG-2583A	TG-2583	TG-2584
SCHEMATIC			

* MATERIAL

TERMINAL 1 : COPPER ALLOY
 TERMINAL 2 : COPPER ALLOY
 TERMINAL 3 : COPPER ALLOY
 TERMINAL 10: BRASS
 HOUSING : PA66



CHAMPWAY 冠泰電子有限公司
 CHAMPWAY ELECTRONICS CO., LTD.

PART NAME	2.5mm STEREO JACK	TOLERANCE UNLESS	0.0±0.2	UNIT:		DESIGN	J.X.KUANG	DATE	1-10-2003	SCALE	5:1
PART NO.	TG-258	OTHERWISE SPECIFIED:	0.00±0.1 0.000±0.05	mm		CHECK	T.Y.LI	DATE	4-8-2006	MATERIAL	*
					APPROVAL		DATE		DWG. NO.	TZ\TG258-PA66/B	
							DATE		SHEET		

F

E

D

C

B

A

DCF-04/A