

F

E

D

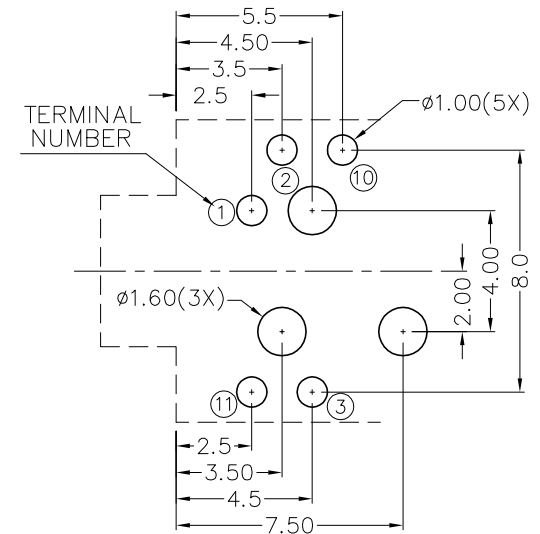
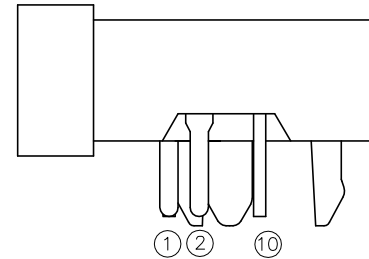
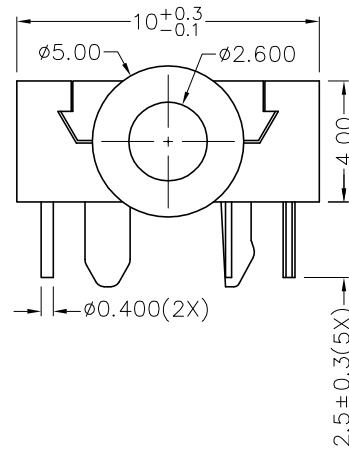
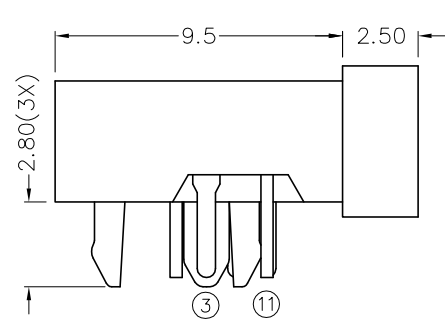
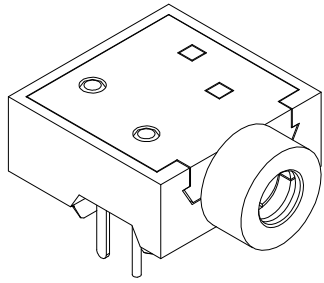
C

B

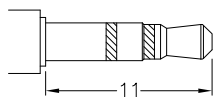
A

RoHS
Compliant

ZONE	SYMBOL	REVISION	APPROVAL	DATE
		MODIFY POST DRAWING	J.X.KUANG	17-12-2007



PCB LAYOUT
(BOTTOM VIEW)



∅2.5 MATE PLUG

MODEL NO.	TG-2605	TG-2604A	TG-2604B	TG-2603	TG-2603A	TG-2602
SCHEMATIC						

* MATERIAL

TERMINAL 1 : BRASS
 TERMINAL 2 : COPPER ALLOY
 TERMINAL 3 : COPPER ALLOY
 TERMINAL 10 : COPPER ALLOY
 TERMINAL 11 : COPPER ALLOY
 BUSHING : BRASS
 HOUSING : PA66
 COVER : PA66

CHAMPWAY 冠泰電子有限公司
 CHAMPWAY ELECTRONICS CO., LTD.

DESIGN	J.M.KWAN	DATE	5-12-2003	SCALE	4:1
DRAWING	L.L.ZHANG	DATE	17-12-2007	MATERIAL	*
CHECK		DATE		DWG. NO.	TZ\TG260-PA66/D
APPROVAL		DATE		SHEET	

PART NAME	2.5mm STEREO JACK	TOLERANCE UNLESS	0.0±0.2	UNIT:
PART NO.	TG-260	OTHERWISE SPECIFIED:	0.00±0.1 0.000±0.05	

F

E

D

C

B

A