

F

E

D

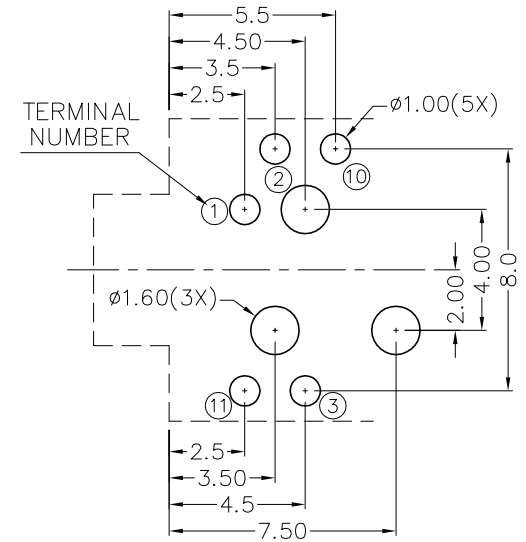
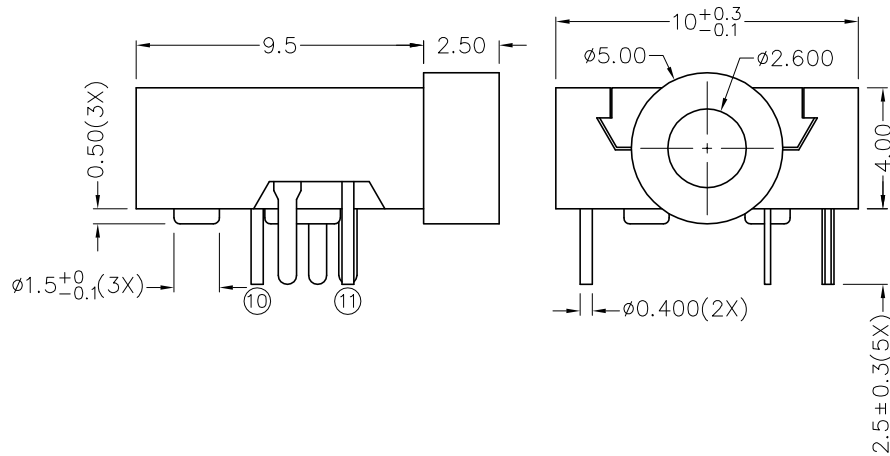
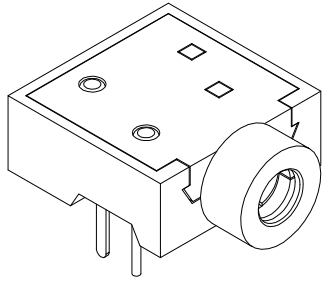
C

B

A

ZONE	SYMBOL	REVISION	APPROVAL	DATE
		ADD MATE PLUG	J.X.KUANG	18-9-2006

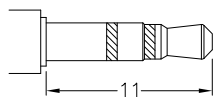
RoHS
Compliant



PCB LAYOUT
(BOTTOM VIEW)

* MATERIAL

TERMINAL 1 : BRASS
 TERMINAL 2 : COPPER ALLOY
 TERMINAL 3 : COPPER ALLOY
 TERMINAL 10 : COPPER ALLOY
 TERMINAL 11 : COPPER ALLOY
 BUSHING : BRASS
 HOUSING : PA66
 COVER : PA66



∅2.5 MATE PLUG

MODEL NO.	TG-2645	TG-2644A	TG-2644B	TG-2643	TG-2643A	TG-2642
SCHEMATIC						



CHAMPWAY 冠泰電子有限公司
CHAMPWAY ELECTRONICS CO., LTD.

DESIGN	J.M.KWAN	DATE	5-12-2003	SCALE	4:1
DRAWING	L.L.ZHANG	DATE	18-9-2006	MATERIAL	*
PART NAME	2.5mm STEREO JACK	TOLERANCE UNLESS	0.0±0.2	CHECK	DATE
PART NO.	TG-264	OTHERWISE SPECIFIED:	0.00±0.1 0.000±0.05	APPROVAL	DATE
		UNIT:	mm		DWG. NO. TZ\TG264-PA66/C
					SHEET

F

E

D

C

B

A

DCF-04/A