

F

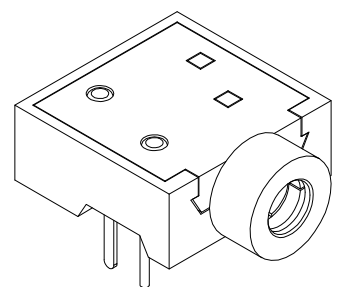
E

D

C

B

A

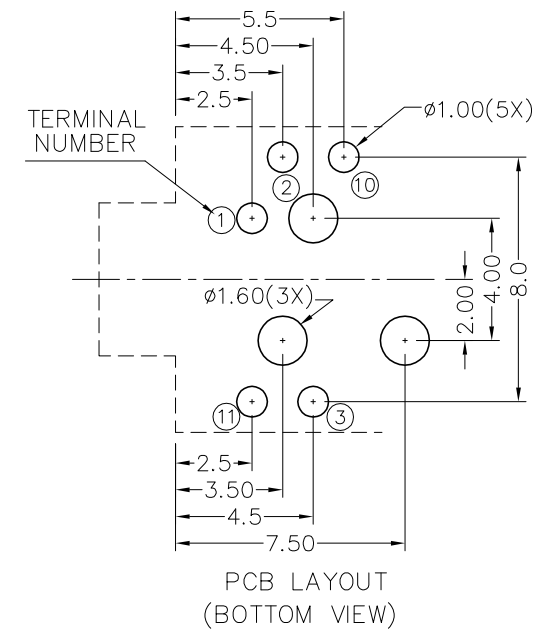
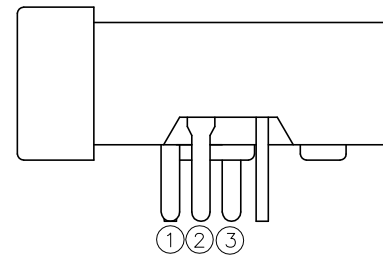
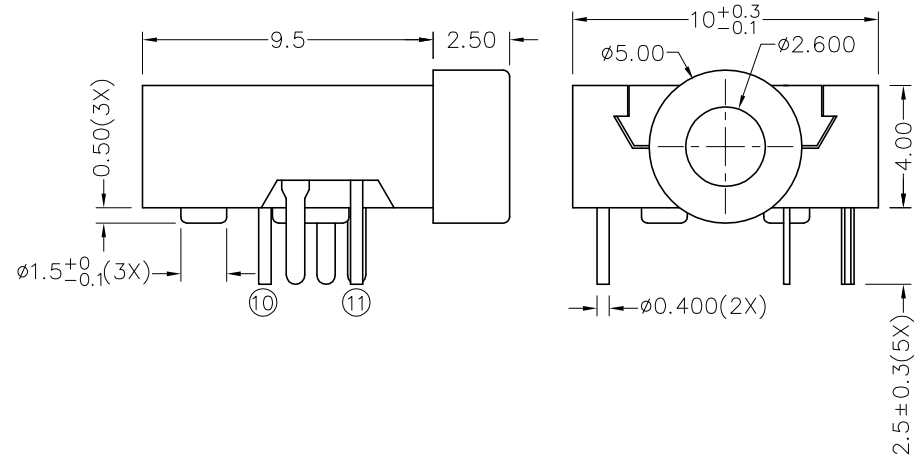


RoHS
Compliant

ZONE	SYMBOL	REVISION	APPROVAL	DATE
		ADD MATE PLUG	J.X.KUANG	5-8-2006

1

1

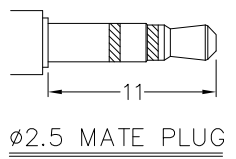


2

2

3

3



MODEL NO.	TG-2645P	TG-2644AP	TG-2644BP	TG-2643P	TG-2643AP	TG-2642P
SCHEMATIC						

* MATERIAL

TERMINAL 1 : BRASS
 TERMINAL 2 : COPPER ALLOY
 TERMINAL 3 : COPPER ALLOY
 TERMINAL 10 : COPPER ALLOY
 TERMINAL 11 : COPPER ALLOY
 BUSHING : PA66
 HOUSING : PA66
 COVER : PA66

4

4

CHAMPWAY 冠泰電子有限公司
 CHAMPWAY ELECTRONICS CO., LTD.

DESIGN	J.X.KUANG	DATE	7-9-2004	SCALE	4:1
DRAWING	T.Y.LI	DATE	5-8-2006	MATERIAL	*
CHECK		DATE		DWG. NO.	TZ\TG264P-PA66/D
APPROVAL		DATE		SHEET	

PART NAME	2.5mm STEREO JACK	TOLERANCE UNLESS	0.0±0.2	UNIT:
PART NO.	TG-264P	OTHERWISE SPECIFIED:	0.00±0.1 0.000±0.05	

F

E

D

C

B

A

DCF-04/A