

F

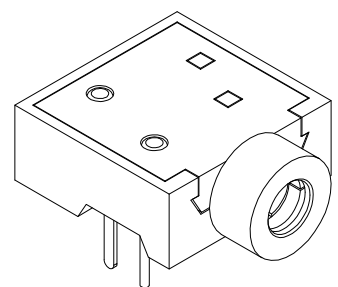
E

D

C

B

A



RoHS  
Compliant

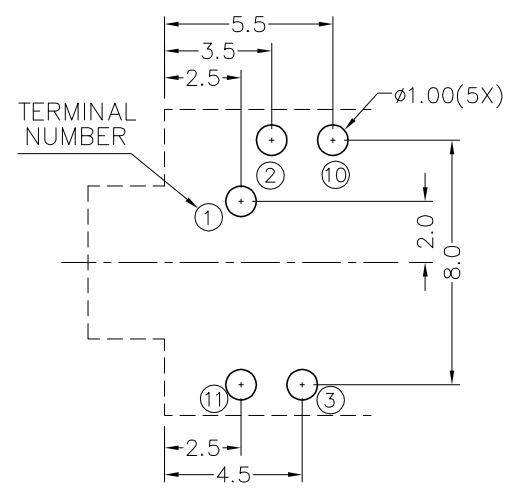
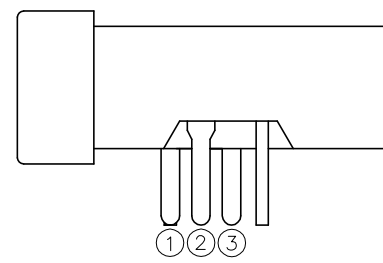
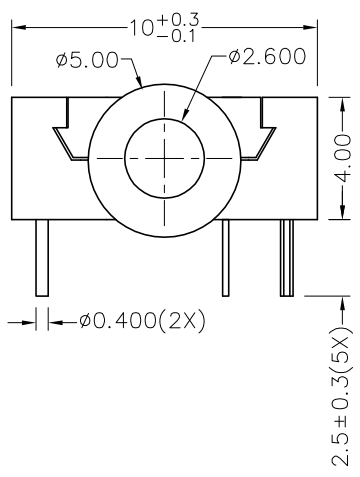
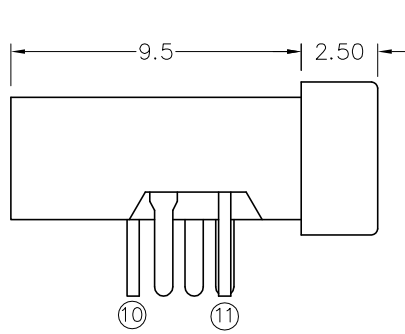
ZONE	SYMBOL	REVISION	APPROVAL	DATE
		ADD MATE PLUG	J.X.KUANG	5-8-2006

1

1

2

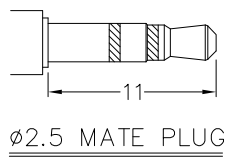
2



PCB LAYOUT  
(BOTTOM VIEW)

3

3



2.5mm MATE PLUG

MODEL NO.	TG-2655P	TG-2654AP	TG-2654BP	TG-2653P	TG-2653AP	TG-2652P
SCHEMATIC						

\* MATERIAL

- TERMINAL 1 : BRASS
- TERMINAL 2 : COPPER ALLOY
- TERMINAL 3 : COPPER ALLOY
- TERMINAL 10 : COPPER ALLOY
- TERMINAL 11 : COPPER ALLOY
- BUSHING : PA66
- HOUSING : PA66
- COVER : PA66

4

4



DESIGN	J.X.KUANG	DATE	7-9-2004	SCALE	4:1
DRAWING	T.Y.LI	DATE	5-8-2006	MATERIAL	*
CHECK		DATE		DWG. NO.	TZ\TG265P-PA66/D
APPROVAL		DATE		SHEET	

PART NAME	2.5mm STEREO JACK	TOLERANCE UNLESS	0.0±0.2	UNIT:
PART NO.	TG-265P	OTHERWISE SPECIFIED:	0.00±0.1 0.000±0.05	

F

E

D

C

B

A