

F

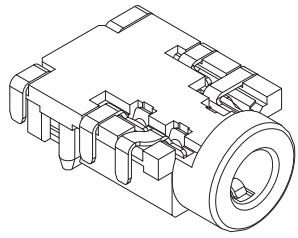
E

D

C

B

A

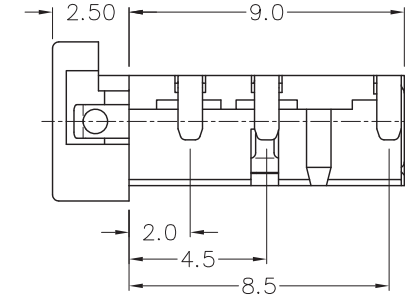
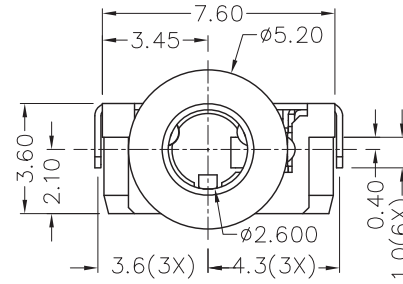
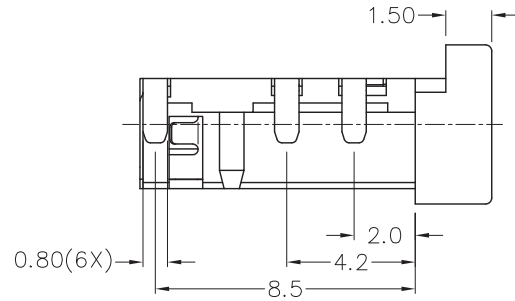


RoHS
Compliant

ZONE	SYMBOL	REVISION	APPROVAL	DATE

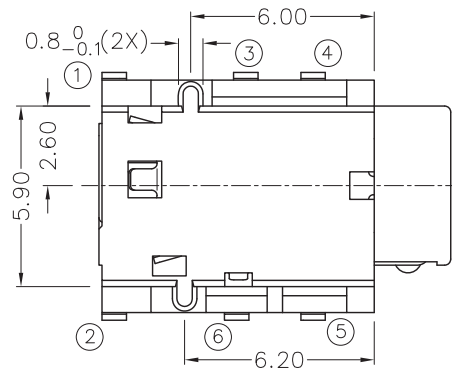
1

1



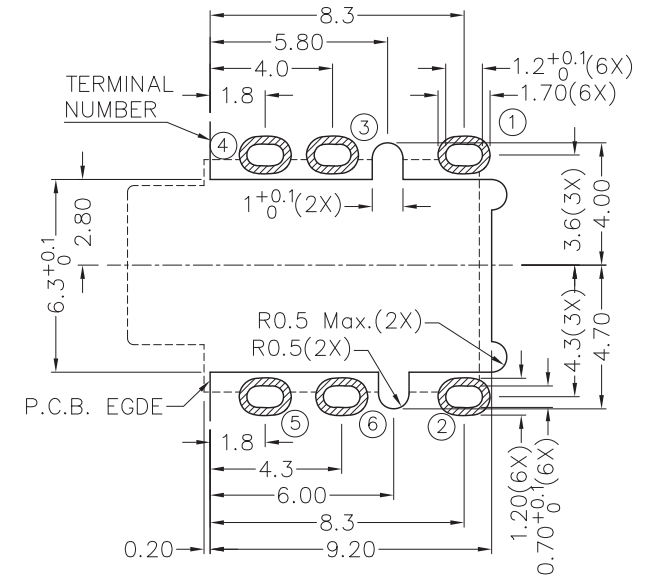
2

2



* MATERIAL

TERMINAL 1 : COPPER ALLOY
 TERMINAL 2 : COPPER ALLOY
 TERMINAL 3 : COPPER ALLOY
 TERMINAL 4 : COPPER ALLOY
 TERMINAL 5 : COPPER ALLOY
 TERMINAL 6 : COPPER ALLOY
 HOUSING : PA6T



3

3

MODEL NO.	TG-4096D
SCHEMATIC	

PCB LAYOUT
(TOP VIEW)

4

4



CHAMPWAY 冠泰電子有限公司
 CHAMPWAY ELECTRONICS CO., LTD.

DESIGN	H.L.TAN	DATE	15-3-2012	SCALE	4:1
DRAWING	CH.XIONG	DATE	22-3-2012	MATERIAL	*
CHECK		DATE		DWG. NO.	TZ\TG409D-PA6T/A
APPROVAL		DATE		SHEET	

PART NAME 2.5mm SMD STEREO JACK

TOLERANCE UNLESS 0.0±0.2

UNIT:



PART NO. TG-409D

OTHERWISE SPECIFIED: 0.00±0.1
 0.00±0.05

mm

F

E

D

C

B

A