

F

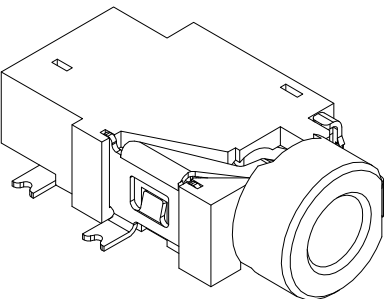
E

D

C

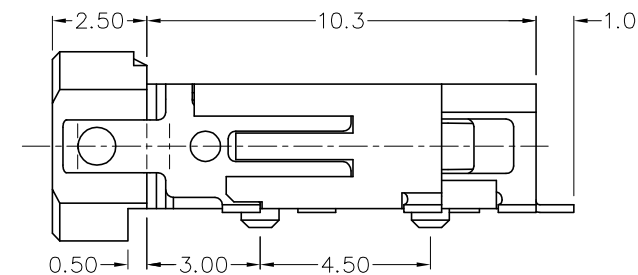
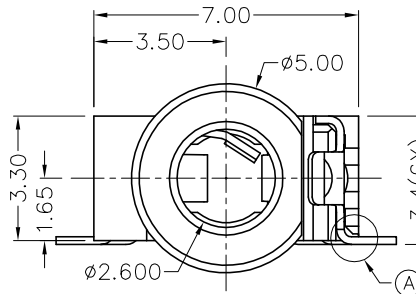
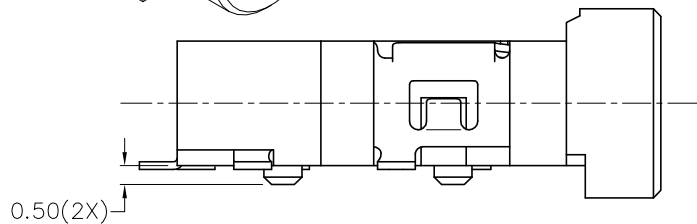
B

A



RoHS
Compliant

ZONE	SYMBOL	REVISION	APPROVAL	DATE
		ADDED INDICATION OF COPLANARITY	J.X.KUANG	30-12-2008



1

1

2

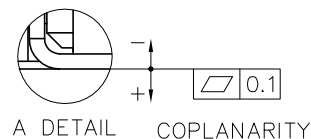
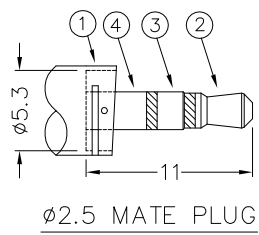
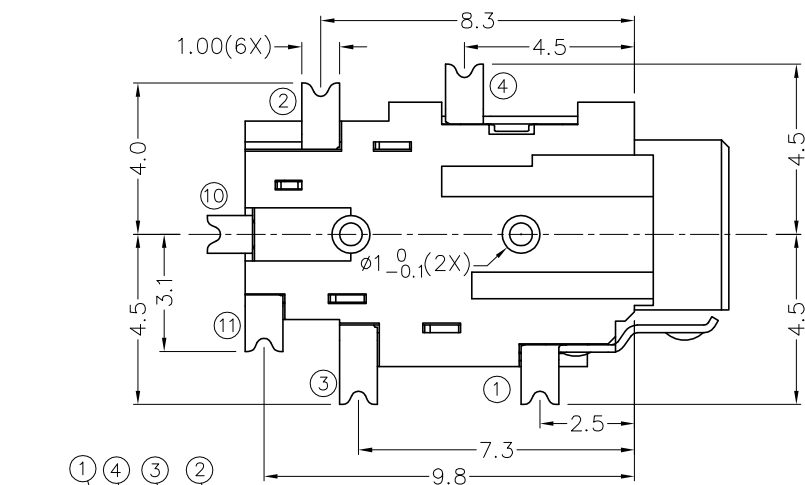
2

3

3

4

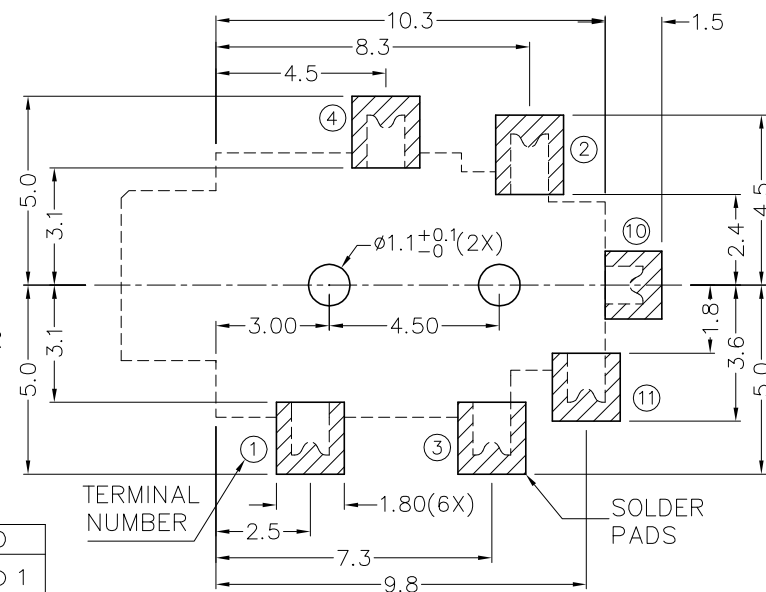
4



* MATERIAL

TERMINAL 1 : COPPER ALLOY
 TERMINAL 2 : COPPER ALLOY
 TERMINAL 3 : BERYLLIUM COPPER
 TERMINAL 4 : COPPER ALLOY
 TERMINAL 10 : COPPER ALLOY
 TERMINAL 11 : COPPER ALLOY
 HOUSING : PA6T

MODEL NO.	TG-2996D	TG-2995AD	TG-2995BD	TG-2994D
SCHEMATIC				



RECOMMENDED
SOLDER PAD LAYOUT



CHAMPWAY 冠泰電子有限公司
CHAMPWAY ELECTRONICS CO., LTD.

DESIGN	G.P.YI	DATE	8-1-2007	SCALE	5:1
DRAWING	T.Y.LI	DATE	30-12-2008	MATERIAL	*
CHECK		DATE		DWG. NO.	TZ\TG299D-PA6T/B
APPROVAL		DATE		SHEET	

PART NAME	2.5mm SMD STEREO JACK	TOLERANCE UNLESS	0.0±0.2	UNIT:	mm
PART NO.	TG-299D	OTHERWISE SPECIFIED:	0.00±0.1 0.000±0.05		

F

E

D

C

B

A