

F

E

D

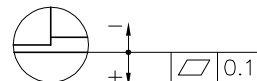
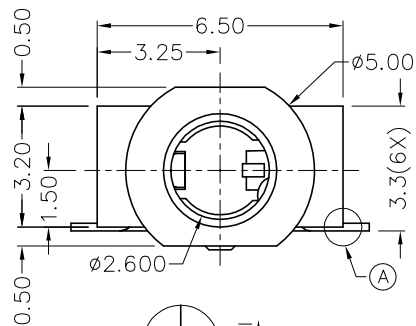
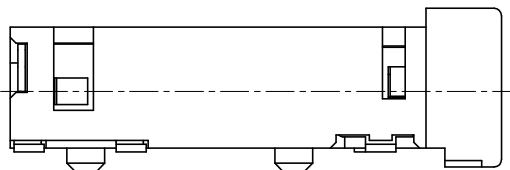
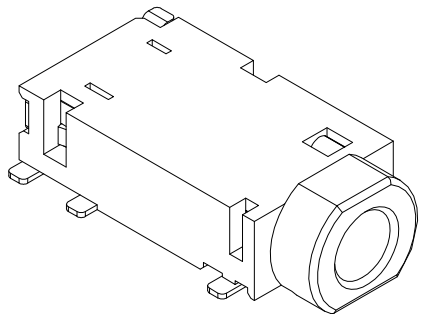
C

B

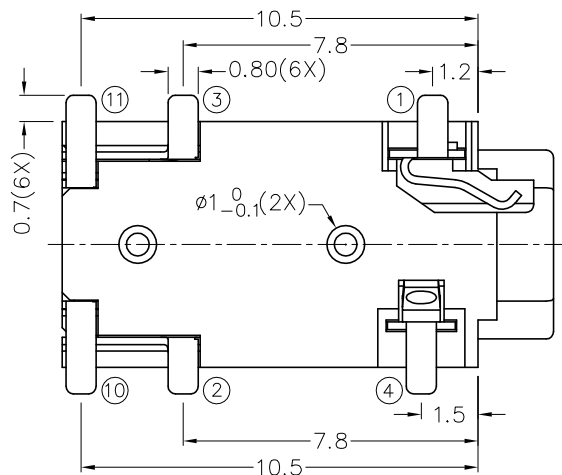
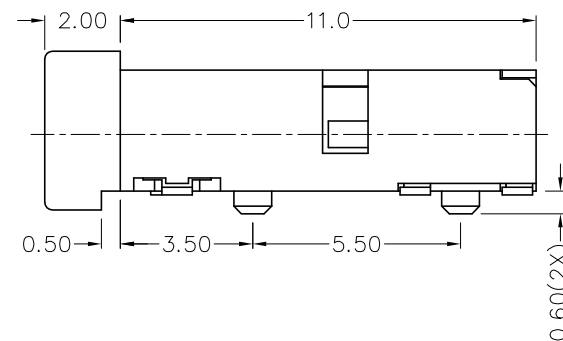
A

RoHS  
Compliant

ZONE	SYMBOL	REVISION	APPROVAL	DATE
		ADDED INDICATION OF COPLANARITY	J.X.KUANG	2-1-2009

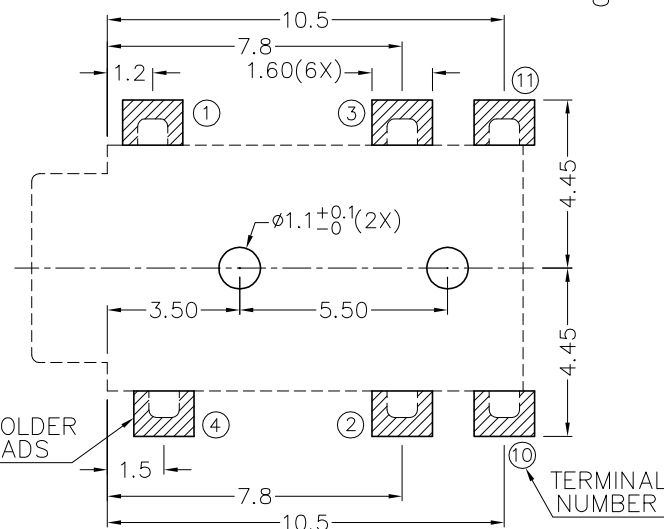


A DETAIL COPLANARITY

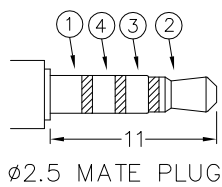


\* MATERIAL

TERMINAL 1 : COPPER ALLOY  
 TERMINAL 2 : COPPER ALLOY  
 TERMINAL 3 : COPPER ALLOY  
 TERMINAL 4 : COPPER ALLOY  
 TERMINAL 10: COPPER ALLOY  
 TERMINAL 11: COPPER ALLOY  
 HOUSING : PA6T



RECOMMENDED  
SOLDER PAD LAYOUT



Ø2.5 MATE PLUG

MODEL NO.	TG-4056D
SCHEMATIC	



**CHAMPWAY** 冠泰電子有限公司  
CHAMPWAY ELECTRONICS CO., LTD.

PART NAME	2.5mm SMD STEREO JACK	TOLERANCE UNLESS	0.0±0.2	UNIT:	
PART NO.	TG-405D	OTHERWISE SPECIFIED:	0.00±0.1 0.000±0.05	mm	

DESIGN	T.Y.LI	DATE	2-1-2008	SCALE	5:1
DRAWING	T.Y.LI	DATE	2-1-2009	MATERIAL	*
CHECK		DATE		DWG. NO.	TZ\TG405D-PA6T/B
APPROVAL		DATE		SHEET	

F

E

D

C

B

A