

F

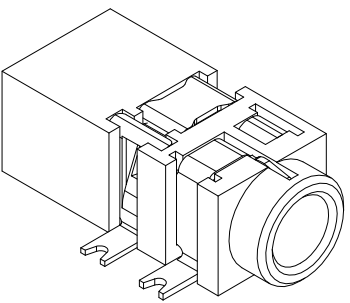
E

D

C

B

A

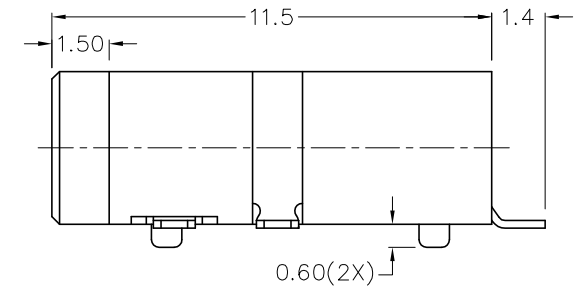
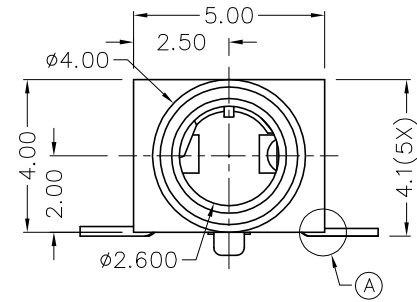
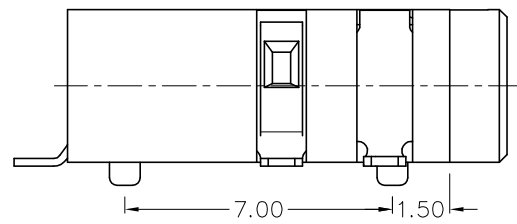


RoHS  
Compliant

| ZONE | SYMBOL | REVISION                        | APPROVAL  | DATE       |
|------|--------|---------------------------------|-----------|------------|
|      |        | ADDED INDICATION OF COPLANARITY | J.X.KUANG | 23-12-2008 |
|      |        |                                 |           |            |
|      |        |                                 |           |            |

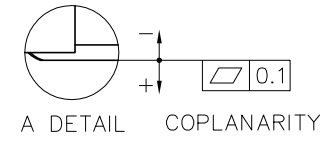
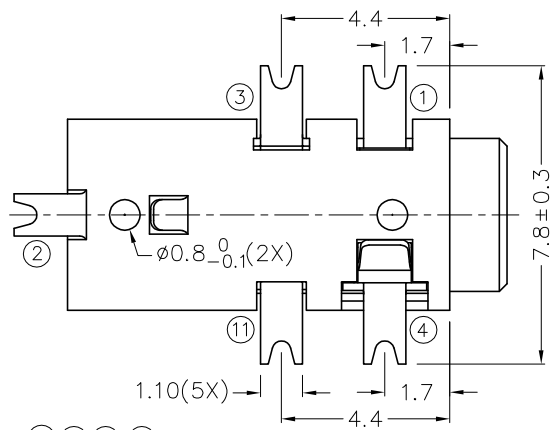
1

1



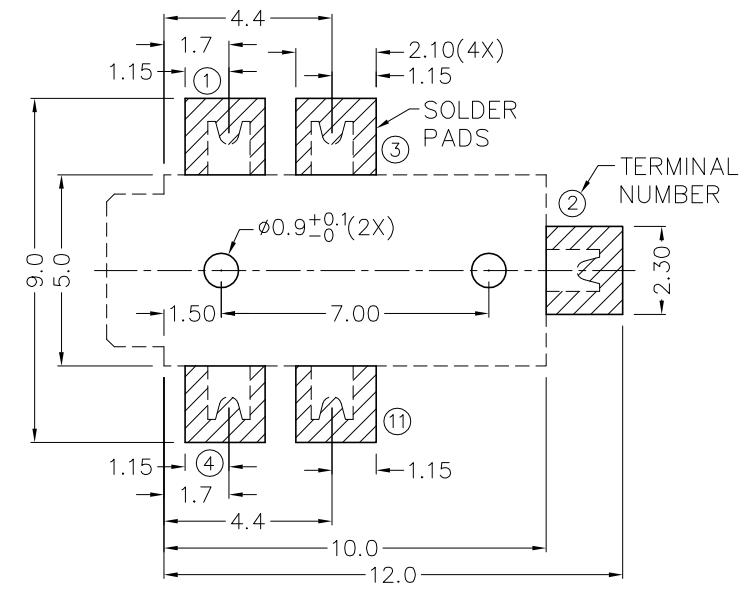
2

2



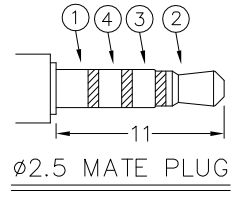
\* MATERIAL

- TERMINAL 1 : COPPER ALLOY
- TERMINAL 2 : COPPER ALLOY
- TERMINAL 3 : COPPER ALLOY
- TERMINAL 4 : COPPER ALLOY
- TERMINAL 11 : BRASS
- HOUSING : PA6T



3

3



| MODEL NO. | TG-2845D | TG-2844BD |
|-----------|----------|-----------|
| SCHEMATIC |          |           |

RECOMMENDED  
SOLDER PAD LAYOUT

4

4

**CHAMPWAY** 冠泰電子有限公司  
CHAMPWAY ELECTRONICS CO., LTD.

|          |        |      |            |          |                  |
|----------|--------|------|------------|----------|------------------|
| DESIGN   | T.Y.LI | DATE | 19-11-2003 | SCALE    | 5:1              |
| DRAWING  | T.Y.LI | DATE | 23-12-2008 | MATERIAL | *                |
| CHECK    |        | DATE |            | DWG. NO. | TZ\TG284D-PA6T/C |
| APPROVAL |        | DATE |            | SHEET    |                  |

|           |                       |                      |                        |       |  |
|-----------|-----------------------|----------------------|------------------------|-------|--|
| PART NAME | 2.5mm SMD STEREO JACK | TOLERANCE UNLESS     | 0.0±0.2                | UNIT: |  |
| PART NO.  | TG-284D               | OTHERWISE SPECIFIED: | 0.00±0.1<br>0.000±0.05 |       |  |

F

E

D

C

B

A