

F

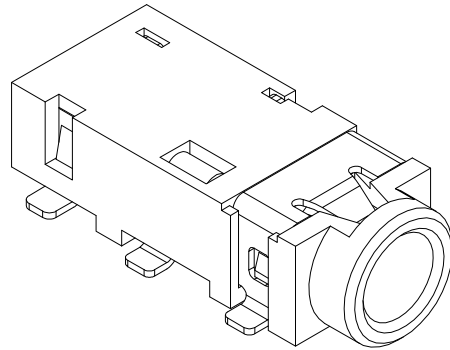
E

D

C

B

A

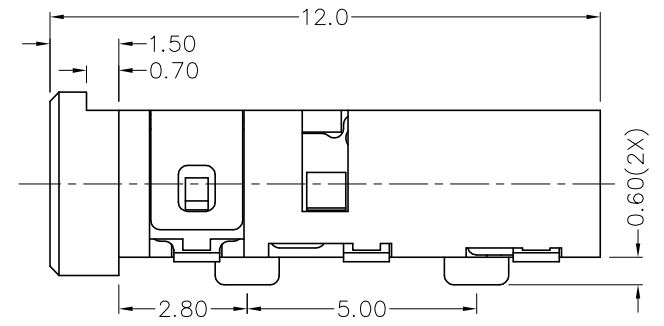
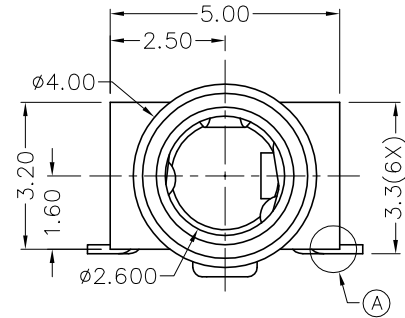
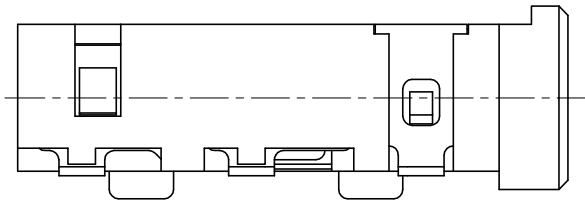


RoHS
Compliant

ZONE	SYMBOL	REVISION	APPROVAL	DATE
		ADDED INDICATION OF COPLANARITY	J.X.KUANG	24-12-2008

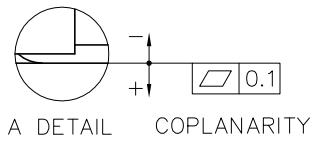
1

1

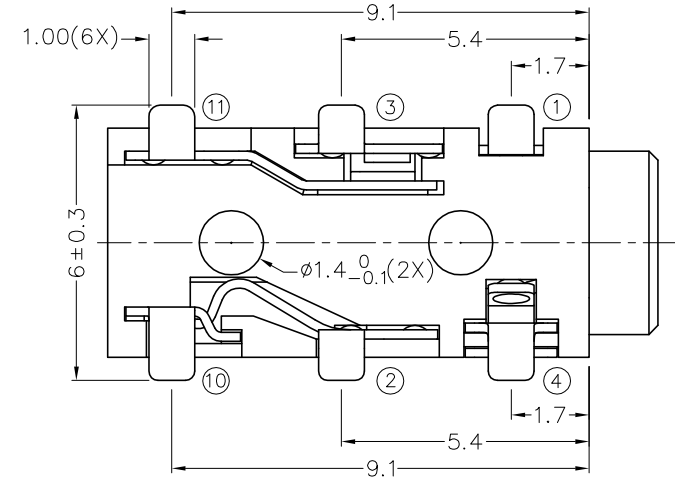


2

2

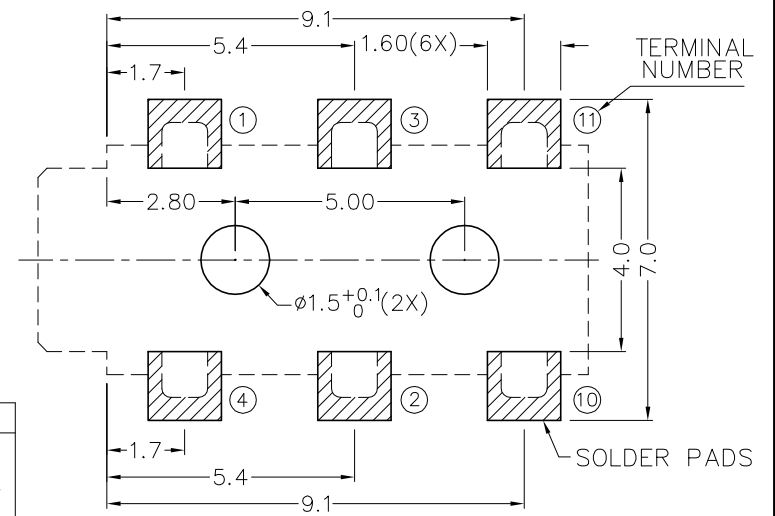


A DETAIL COPLANARITY



* MATERIAL

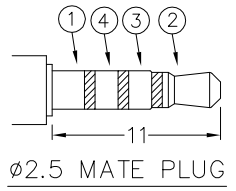
- TERMINAL 1 : COPPER ALLOY
- TERMINAL 2 : Ti-Cu
- TERMINAL 3 : COPPER ALLOY
- TERMINAL 4 : COPPER ALLOY
- TERMINAL 10 : BRASS
- TERMINAL 11 : BRASS
- HOUSING : PA6T



RECOMMENDED
SOLDER PAD LAYOUT

3

3



MODEL NO.	TG-2866D	TG-2865AD	TG-2865BD	TG-2864D
SCHEMATIC				

4

4

CHAMPWAY 冠泰電子有限公司
CHAMPWAY ELECTRONICS CO., LTD.

DESIGN	L.L.ZHANG	DATE	2-9-2005	SCALE	6:1
DRAWING	T.Y.LI	DATE	24-12-2008	MATERIAL	*
CHECK		DATE		DWG. NO.	TZ\TG286D-PA6T/E
APPROVAL		DATE		SHEET	

PART NAME	2.5mm SMD STEREO JACK	TOLERANCE UNLESS	0.0±0.2	UNIT:	
PART NO.	TG-286D	OTHERWISE SPECIFIED:	0.00±0.1 0.000±0.05	mm	

F

E

D

C

B

A