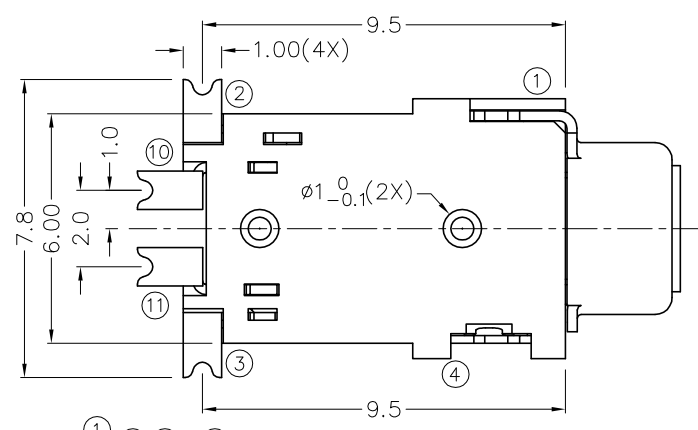
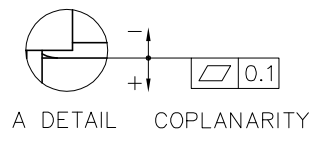
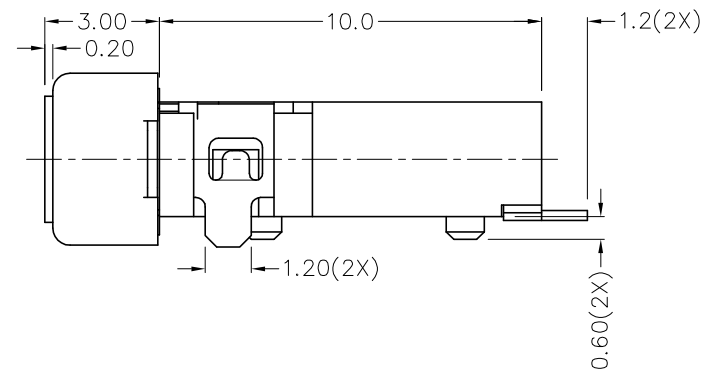
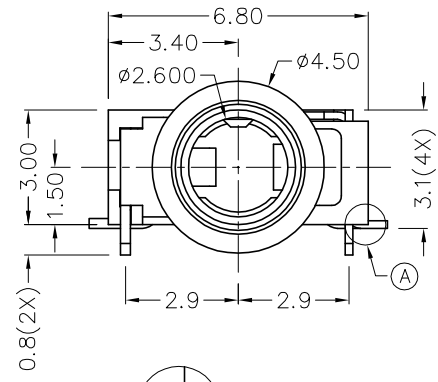
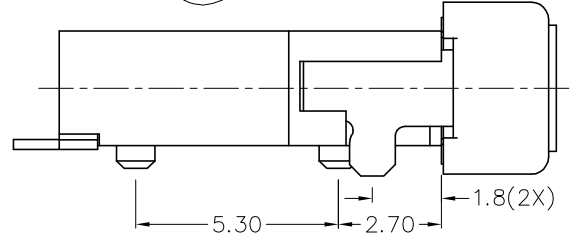
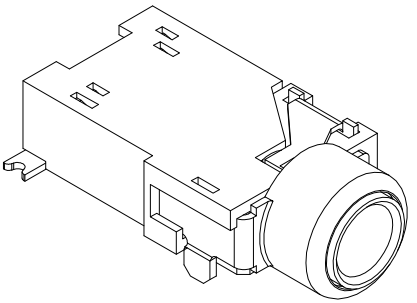


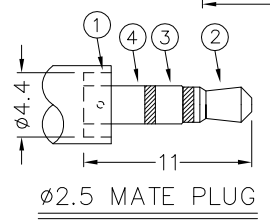
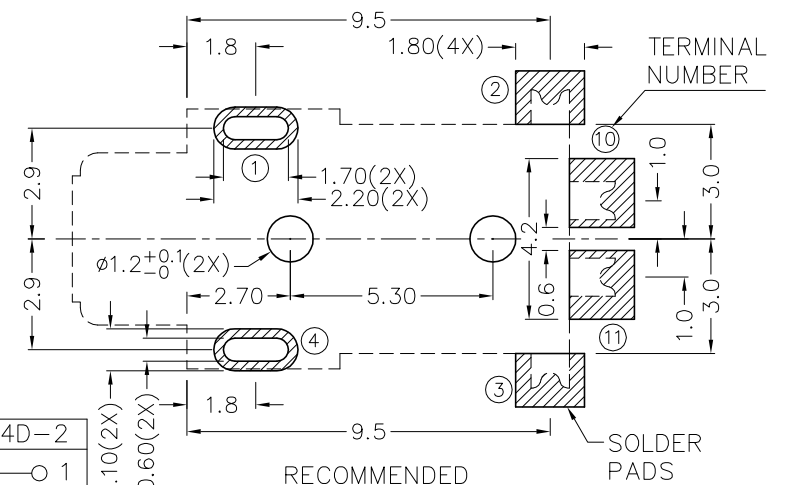
F E D C B A

ZONE	SYMBOL	REVISION	APPROVAL	DATE
		ADDED INDICATION OF COPLANARITY	J.X.KUANG	25-12-2008

RoHS
Compliant



*** MATERIAL**
 TERMINAL 1 : BRASS
 TERMINAL 2 : COPPER ALLOY
 TERMINAL 3 : COPPER ALLOY
 TERMINAL 4 : COPPER ALLOY
 TERMINAL 10 : BRASS
 TERMINAL 11 : BRASS
 HOUSING : PA6T



MODEL NO.	TG-2906D-2	TG-2905AD-2	TG-2905BD-2	TG-2904D-2
SCHEMATIC				

1
2
3
4

1
2
3
4

CHAMPWAY 冠泰電子有限公司
CHAMPWAY ELECTRONICS CO., LTD.

DESIGN	L.L.ZHANG	DATE	24-6-2005	SCALE	5:1
DRAWING	T.Y.LI	DATE	25-12-2008	MATERIAL	*
CHECK		DATE		DWG. NO.	TZ\TG290D-2-PA6T/C
APPROVAL		DATE		SHEET	

PART NAME	2.5mm SMD STEREO JACK	TOLERANCE UNLESS	0.0±0.2	UNIT: mm
PART NO.	TG-290D-2	OTHERWISE SPECIFIED:	0.00±0.05	

F E D C B A