

F

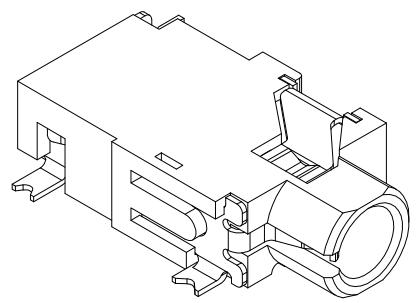
E

D

C

B

A

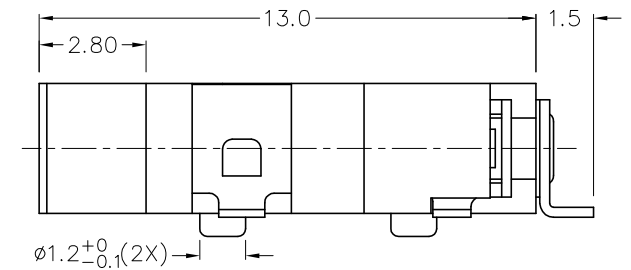
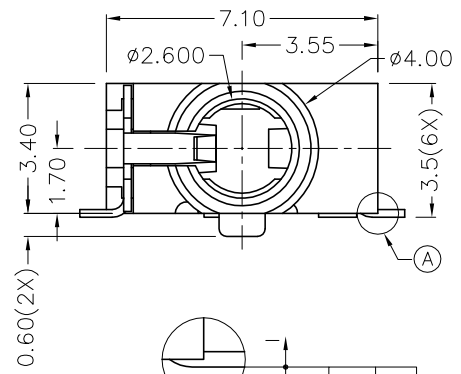
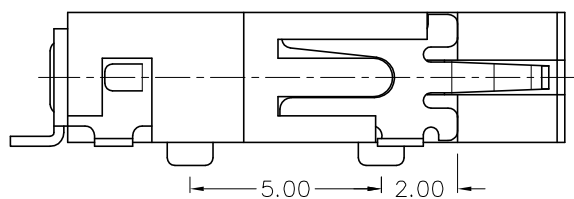


RoHS  
Compliant

ZONE	SYMBOL	REVISION	APPROVAL	DATE
		ADDED INDICATION OF COPLANARITY	J.X.KUANG	22-12-2008

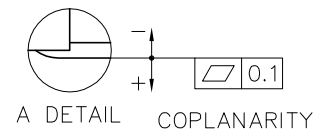
1

1

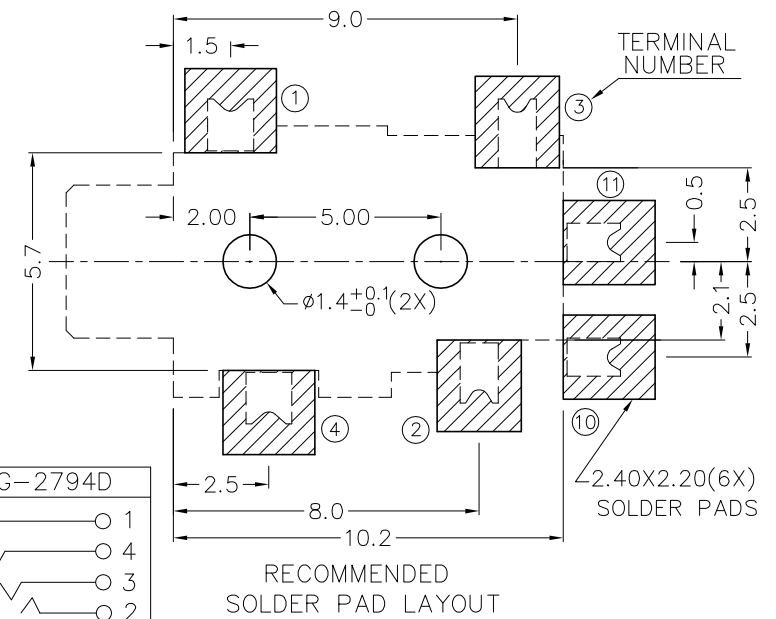
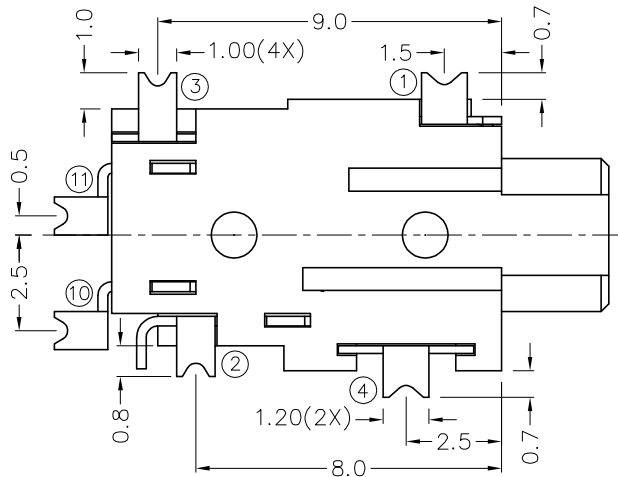


2

2

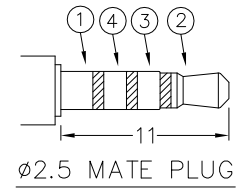


\* MATERIAL  
 TERMINAL 1 : COPPER ALLOY  
 TERMINAL 2 : COPPER ALLOY  
 TERMINAL 3 : COPPER ALLOY  
 TERMINAL 4 : COPPER ALLOY  
 TERMINAL 10 : BRASS  
 TERMINAL 11 : BRASS  
 HOUSING : PA6T



3

3



MODEL NO.	TG-2796D	TG-2795AD	TG-2795BD	TG-2795D	TG-2794D
SCHMATIC					

4

4

**CHAMPWAY** 冠泰電子有限公司  
 CHAMPWAY ELECTRONICS CO., LTD.

DESIGN	J.X.KUANG	DATE	11-5-2004	SCALE	5:1
DRAWING	T.Y.LI	DATE	22-12-2008	MATERIAL	*
CHECK		DATE		DWG. NO.	TZ\TG279D-PA6T/D
APPROVAL		DATE		SHEET	

PART NAME	2.5mm SMD STEREO JACK	TOLERANCE UNLESS	0.0±0.2	UNIT:	mm
PART NO.	TG-279D	OTHERWISE SPECIFIED:	0.00±0.1 0.000±0.05		

F

E

D

C

B

A