

F

E

D

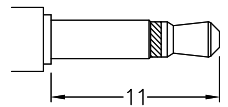
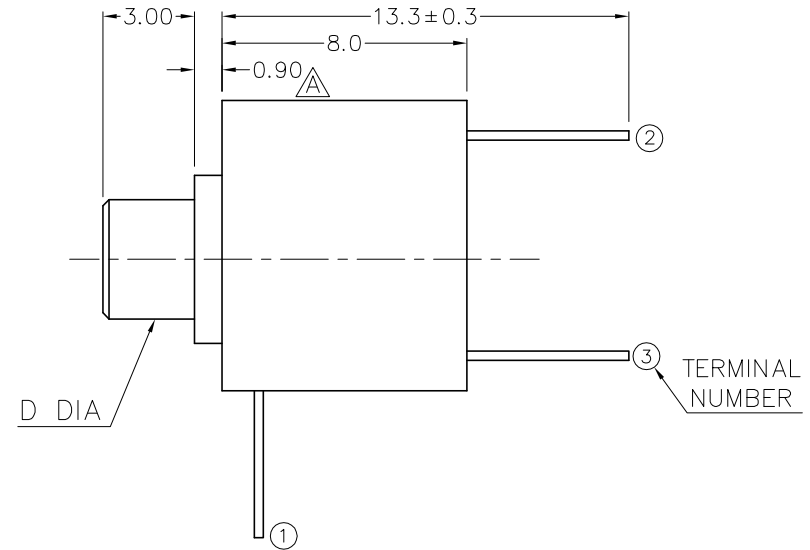
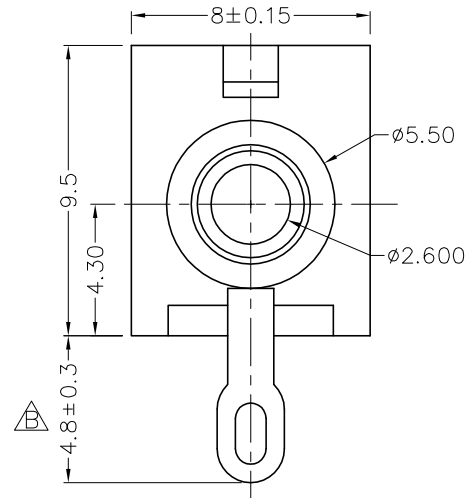
C

B

A

RoHS
Compliant

| ZONE | SYMBOL | REVISION | APPROVAL | DATE |
|------|--------|-----------------------|-----------|-----------|
| C2 | △ | 0.80 MODIFIED TO 0.90 | J.X.KUANG | 21-9-2010 |
| E3 | △ | 4.7 MODIFIED TO 4.8 | J.X.KUANG | 21-9-2010 |
| | | | | |



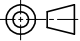
Ø2.5 MATE PLUG

| MODEL NO. | TG-25N | TG-25F |
|-----------|--------------------|-----------------|
| D DIA | THREADED M4X0.5 | FLASHED Ø4.0 |
| SCHEMATIC | | |

* MATERIAL

TERMINAL 1 : BRASS
 TERMINAL 2 : COPPER ALLOY
 TERMINAL 3 : BRASS
 BUSHING : BRASS
 HOUSING : PBT

 **CHAMPWAY** 冠泰電子有限公司
 CHAMPWAY ELECTRONICS CO., LTD.

| | | | | | | | | | | | |
|-----------|------------------|----------------------|------------------------|-------|---|----------|--------------|------|-----------|----------|---------------|
| PART NAME | 2.5mm PHONE JACK | TOLERANCE UNLESS | 0.0±0.2 | UNIT: |  | DESIGN | K.Y.AU-YEUNG | DATE | 30-9-2003 | SCALE | 4:1 |
| PART NO. | TG-25 | OTHERWISE SPECIFIED: | 0.00±0.1 0.000±0.05 | mm | | CHECK | | DATE | | DWG. NO. | TZ\TG25-PBT/C |
| | | | | | | APPROVAL | | DATE | | SHEET | |

F

E

D

C

B

A