

F

E

D

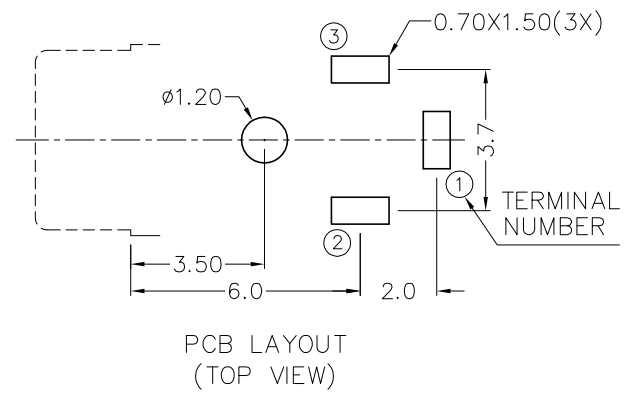
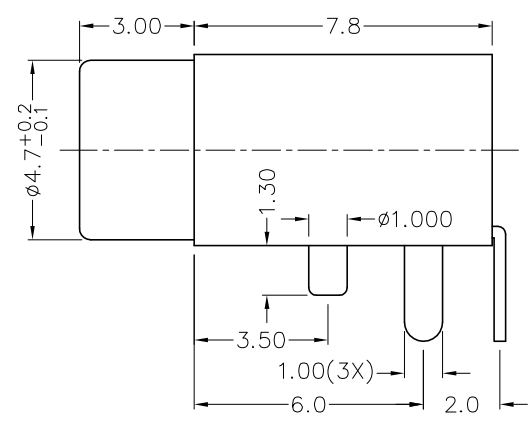
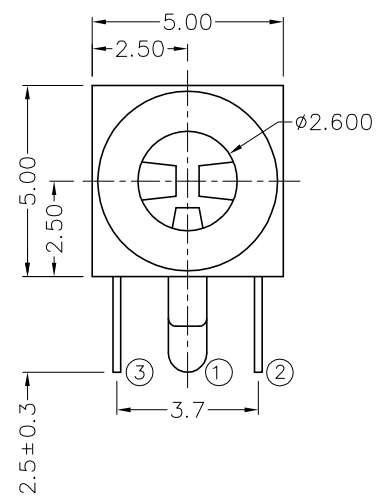
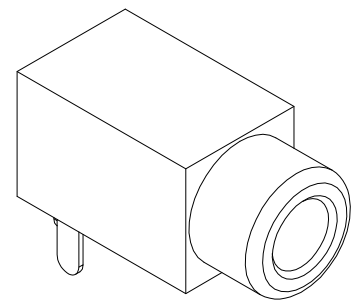
C

B

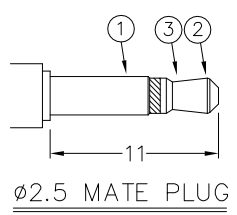
A

RoHS
Compliant

ZONE	SYMBOL	REVISION	APPROVAL	DATE
		ADD. DIM.	J.X.KUANG	3-3-2009



PCB LAYOUT
(TOP VIEW)



∅2.5 MATE PLUG

MODEL NO.	TG-252
SCHEMATIC	

* MATERIAL

- TERMINAL 1 : COPPER ALLOY
- TERMINAL 2 : COPPER ALLOY
- TERMINAL 3 : COPPER ALLOY
- HOUSING : PBT



DESIGN	T.Y.LI	DATE	15-6-2005	SCALE	5:1
DRAWING	T.Y.LI	DATE	3-3-2009	MATERIAL	*
CHECK		DATE		DWG. NO.	TZ\TG252-PBT/D
APPROVAL		DATE		SHEET	

F

E

D

C

B

A