

F

E

D

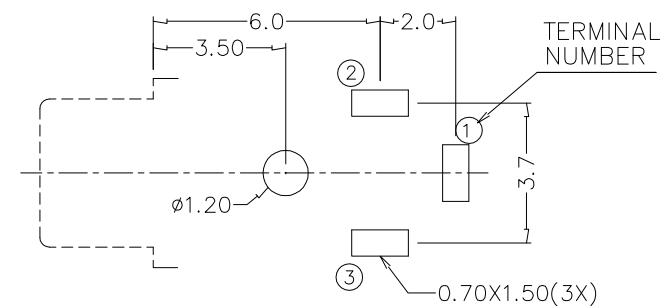
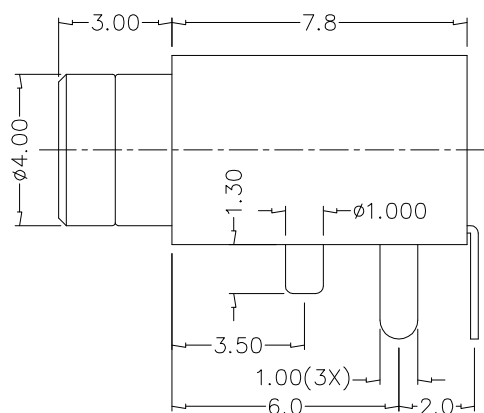
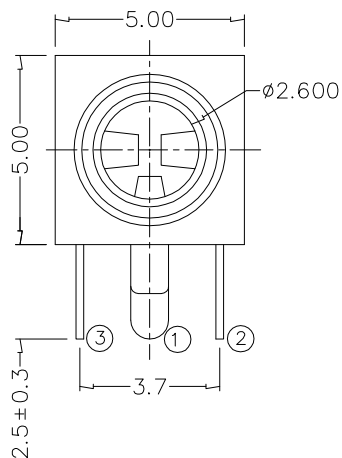
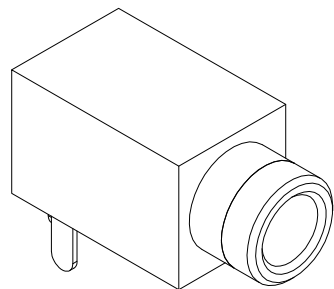
C

B

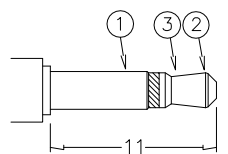
A

RoHS
Compliant

ZONE	SYMBOL	REVISION	APPROVAL	DATE
		ADD MATE PLUG	J.X.KUANG	14-9-2006



PCB LAYOUT
(BOTTOM VIEW)



2.5mm MATE PLUG

MODEL NO.	TG-253
SCHEMATIC	

* MATERIAL

TERMINAL 1 : COPPER ALLOY
 TERMINAL 2 : COPPER ALLOY
 TERMINAL 3 : COPPER ALLOY
 BUSHING : BRASS
 HOUSING : PBT



CHAMPWAY 冠泰電子有限公司
 CHAMPWAY ELECTRONICS CO., LTD.

DESIGN	T.Y.LI	DATE	15-6-2005	SCALE	5:1
DRAWING	L.L.ZHANG	DATE	14-9-2006	MATERIAL	*
PART NAME	2.5mm PHONE JACK	TOLERANCE UNLESS	0.0±0.2	CHECK	
PART NO.	TG-253	OTHERWISE SPECIFIED:	0.00±0.1 0.000±0.05	DATE	
		UNIT:	mm	APPROVAL	
				DATE	
				DATE	
				DWG. NO.	TZ\TG253-PBT/C
				SHEET	

F

E

D

C

B

A

DCF-04/A