

F

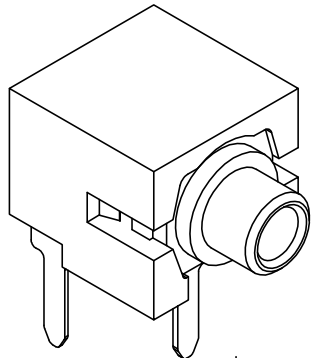
E

D

C

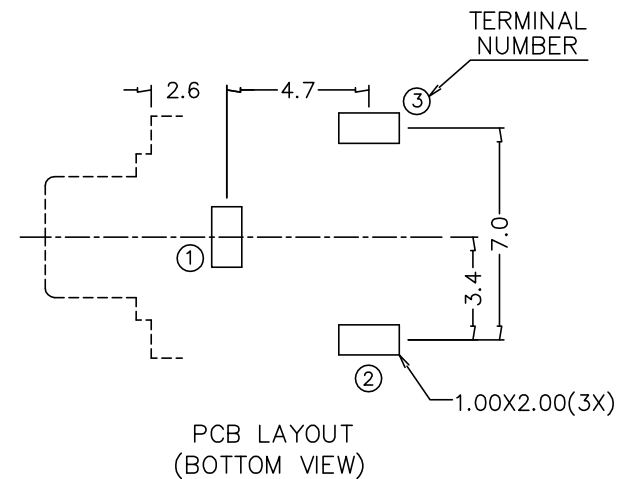
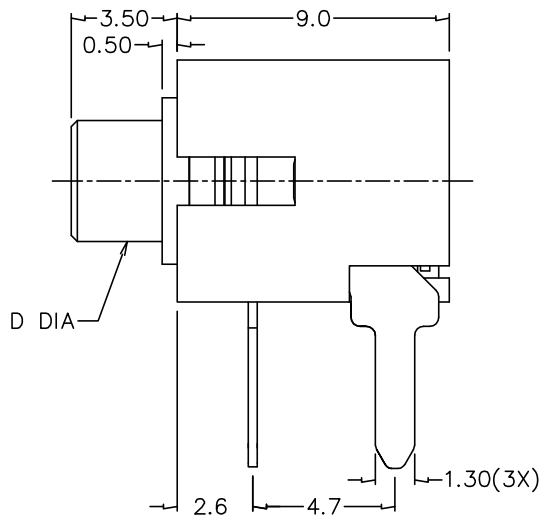
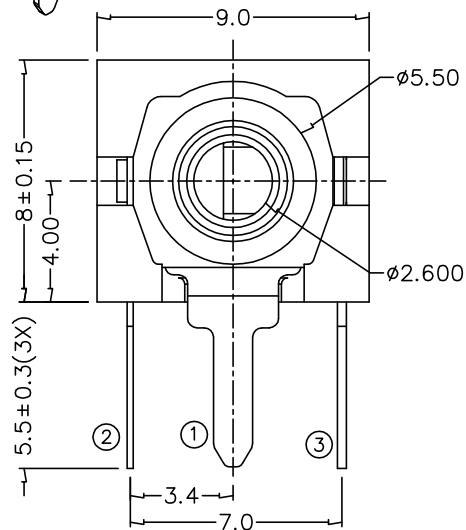
B

A



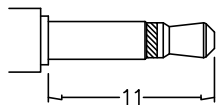
RoHS
Compliant

ZONE	SYMBOL	REVISION	APPROVAL	DATE
		ADD MATE PLUG	J.X.KUANG	18-9-2006

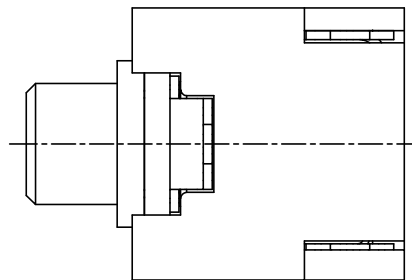


* MATERIAL

TERMINAL 1 : BRASS
 TERMINAL 2 : COPPER ALLOY
 TERMINAL 3 : BRASS
 BUSHING : BRASS
 HOUSING : PBT



φ2.5 MATE PLUG



MODEL NO.	TG-256N	TG-256F
D DIA	THREADED M4X0.5	FLASHED φ4.0
SCHEMATIC		



CHAMPWAY 冠泰電子有限公司
 CHAMPWAY ELECTRONICS CO., LTD.

DESIGN	T.Y.LI	DATE	1-3-2004	SCALE	4:1
DRAWING	L.L.ZHANG	DATE	18-9-2006	MATERIAL	*
CHECK		DATE		DWG. NO.	TZ\TG256-PBT/C
APPROVAL		DATE		SHEET	

PART NAME	2.5mm PHONE JACK	TOLERANCE UNLESS	0.0±0.2	UNIT:	mm
PART NO.	TG-256	OTHERWISE SPECIFIED:	0.00±0.1 0.000±0.05		

F

E

D

C

B

A DCF-04/A