

F

E

D

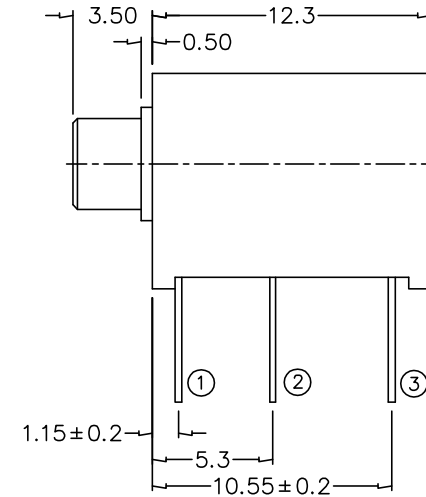
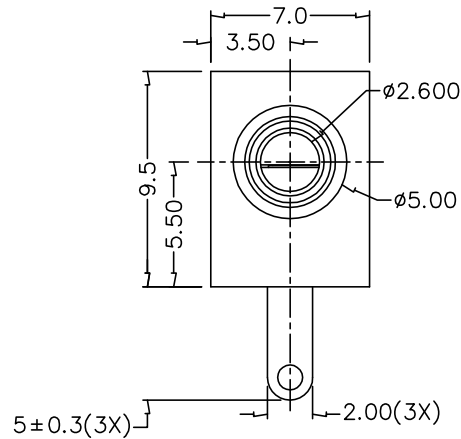
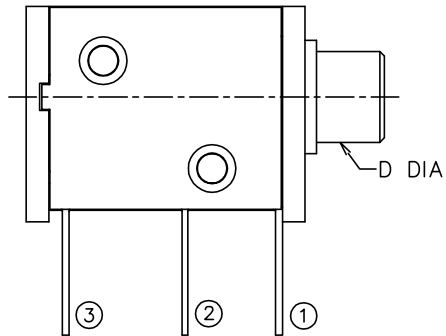
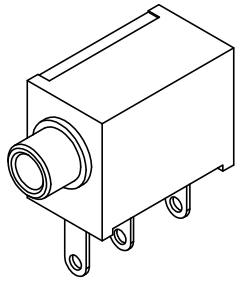
C

B

A

ZONE	SYMBOL	REVISION	APPROVAL	DATE

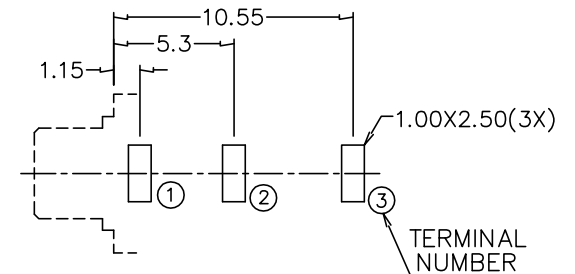
RoHS
Compliant



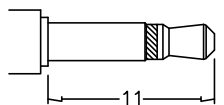
MODEL NO.	TG-402N	TG-402F
D DIA	THREADED M4X0.5	FLASHED ø4.0
SCHEMATIC		

* MATERIAL

TERMINAL 1 : BRASS
 TERMINAL 2 : COPPER ALLOY
 TERMINAL 3 : BRASS
 BUSHING : BRASS
 HOUSING : PBT
 COVER : PBT



PCB LAYOUT
(BOTTOM VIEW)



ø2.5 MATE PLUG



CHAMPWAY 冠泰電子有限公司
CHAMPWAY ELECTRONICS CO., LTD.

DESIGN	T.Y.LI	DATE	19-3-2007	SCALE	3:1
DRAWING	T.Y.LI	DATE	19-3-2007	MATERIAL	*
CHECK		DATE		DWG. NO.	TZ\TG402-PBT/A
APPROVAL		DATE		SHEET	

PART NAME	2.5mm PHONE JACK	TOLERANCE UNLESS	0.0±0.2	UNIT:	
PART NO.	TG-402	OTHERWISE SPECIFIED:	0.00±0.1 0.000±0.05	mm	

F

E

D

C

B

A