

F

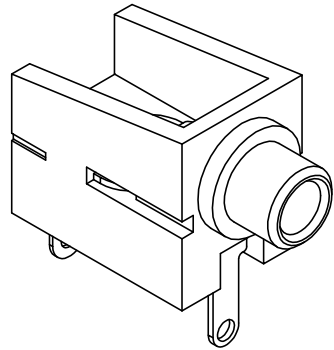
E

D

C

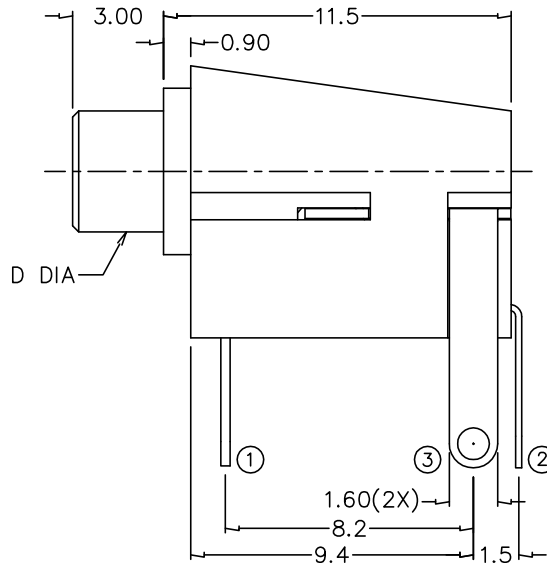
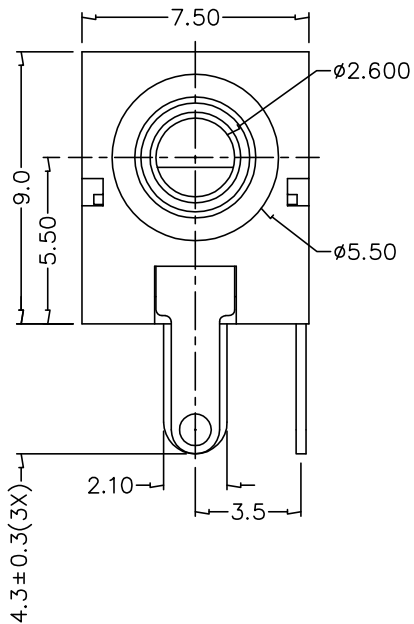
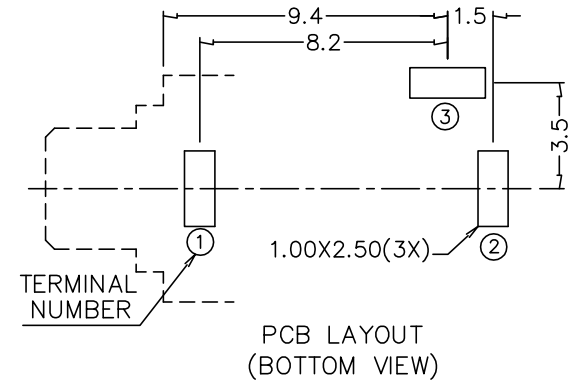
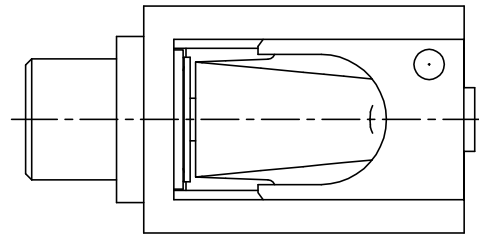
B

A



RoHS
Compliant

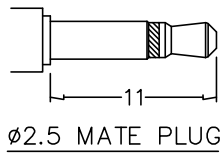
ZONE	SYMBOL	REVISION	APPROVAL	DATE
		ADD MATE PLUG	J.X.KUANG	10-10-2006



MODEL NO.	TH-25N	TH-25F
D DIA	THREADED M4X0.5	FLASHED φ4.0
SCHEMATIC		

* MATERIAL

TERMINAL 1 : BRASS
 TERMINAL 2 : COPPER ALLOY
 TERMINAL 3 : BRASS
 BUSHING : BRASS
 HOUSING : PBT



CHAMPWAY 冠泰電子有限公司
CHAMPWAY ELECTRONICS CO., LTD.

DESIGN	J.X.KUANG	DATE	2-10-2003	SCALE	4:1
DRAWING	L.L.ZHANG	DATE	10-10-2006	MATERIAL	*
CHECK		DATE		DWG. NO.	TZ\TH25-PBT/B
APPROVAL		DATE		SHEET	

PART NAME	2.5mm PHONE JACK	TOLERANCE UNLESS	0.0±0.2	UNIT:	mm
PART NO.	TH-25	OTHERWISE SPECIFIED:	0.00±0.1 0.000±0.05		

F

E

D

C

B

A

DCF-04/A