

F

E

D

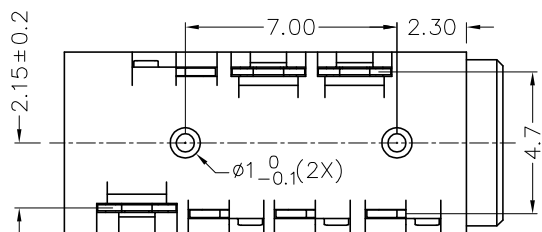
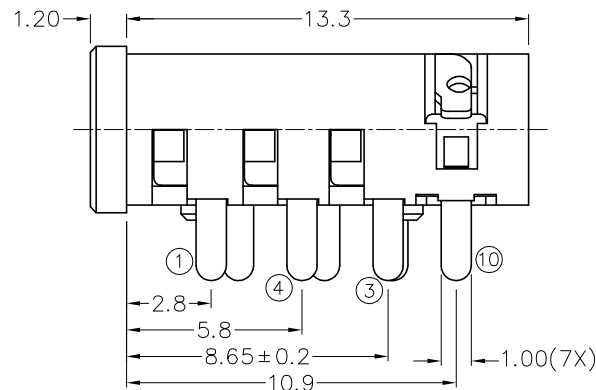
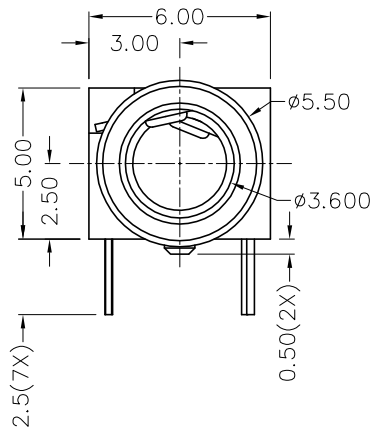
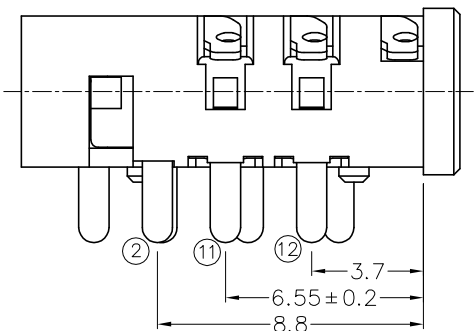
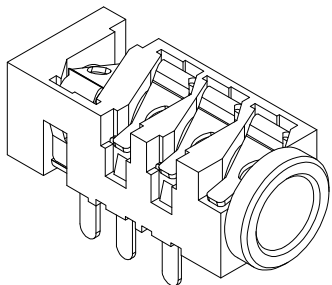
C

B

A

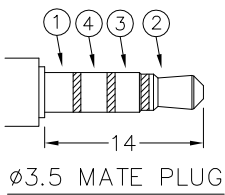
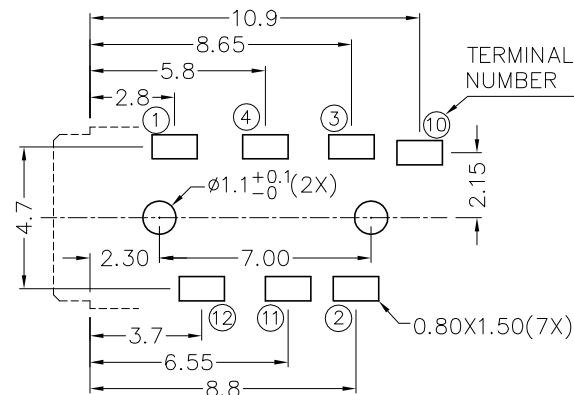
ZONE	SYMBOL	REVISION	APPROVAL	DATE

RoHS  
Compliant



\* MATERIAL

- TERMINAL 1 : COPPER ALLOY
- TERMINAL 2 : COPPER ALLOY
- TERMINAL 3 : COPPER ALLOY
- TERMINAL 4 : COPPER ALLOY
- TERMINAL 10 : BRASS
- TERMINAL 11 : BRASS
- TERMINAL 12 : BRASS
- HOUSING : PA66



MODEL NO.	TSH-3917	TSH-3916A	TSH-3915A	TSH-3914	TSH-3915
SCHEMATIC					



**CHAMPWAY** 冠泰電子有限公司  
CHAMPWAY ELECTRONICS CO., LTD.

DESIGN	T.Y.LI	DATE	23-1-2007	SCALE	4:1
DRAWING	T.Y.LI	DATE	23-1-2007	MATERIAL	*
CHECK		DATE		DWG. NO.	TZ\SH391-PA66/A
APPROVAL		DATE		SHEET	

PART NAME	3.5mm STEREO JACK	TOLERANCE UNLESS	0.0 ± 0.2	UNIT:
PART NO.	TSH-391	OTHERWISE SPECIFIED:	0.00 ± 0.1 0.000 ± 0.05	

F

E

D

C

B

A

DCF-04/A