

F

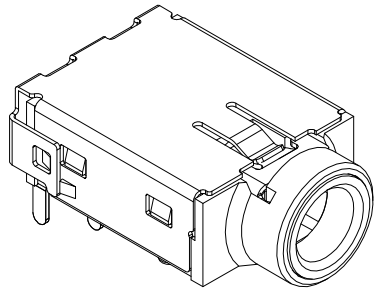
E

D

C

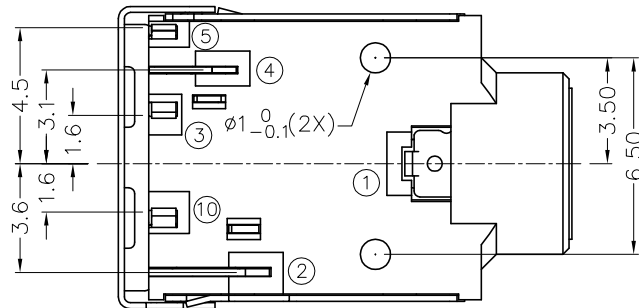
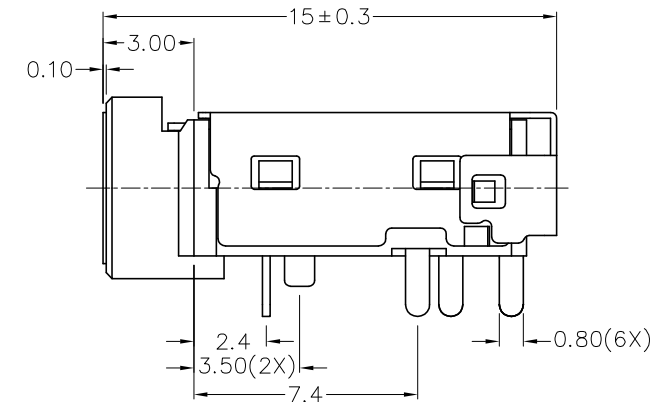
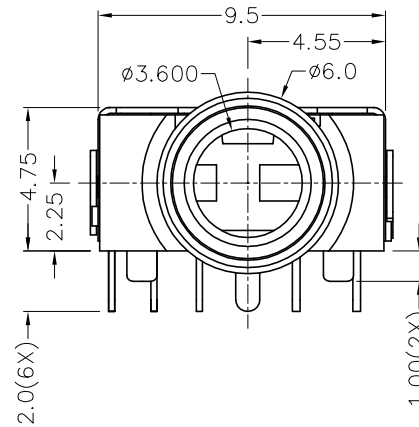
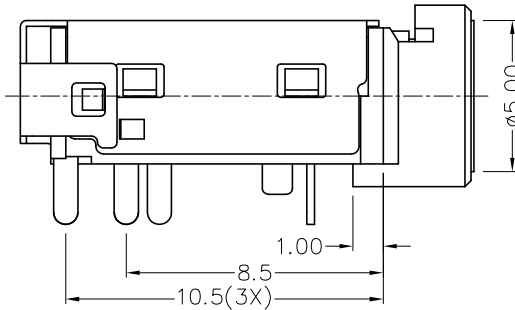
B

A



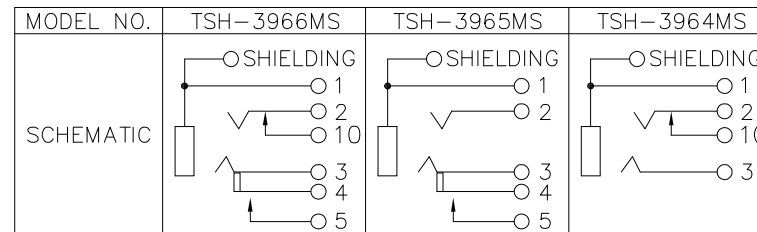
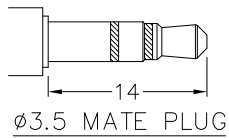
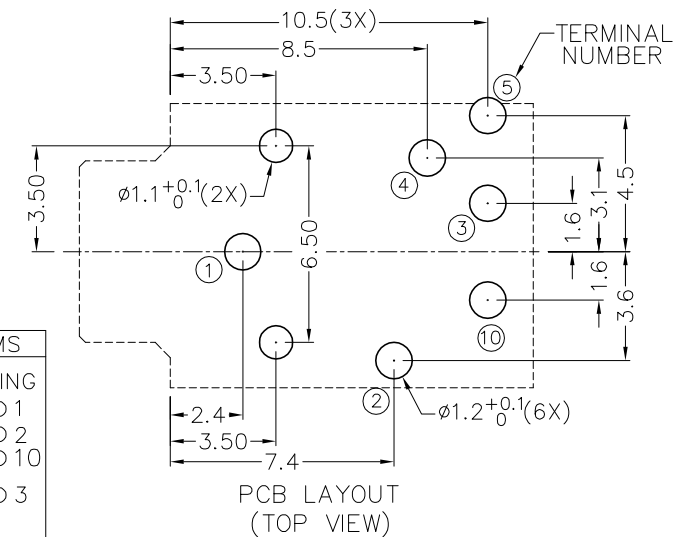
RoHS
Compliant

ZONE	SYMBOL	REVISION	APPROVAL	DATE
		HOUSING STRUCTURE MODIFIED	J.X.KUANG	12-8-2009



* MATERIAL

TERMINAL 1 : COPPER ALLOY
 TERMINAL 2 : COPPER ALLOY
 TERMINAL 3 : COPPER ALLOY
 TERMINAL 4 : COPPER ALLOY
 TERMINAL 5 : COPPER ALLOY
 TERMINAL 10 : BRASS
 SHIELD : COPPER ALLOY
 BUSHING : BRASS
 HOUSING : PA9T



CHAMPWAY 冠泰電子有限公司
 CHAMPWAY ELECTRONICS CO., LTD.

DESIGN	T.Y.LI	DATE	14-1-2009	SCALE	4:1
DRAWING	T.Y.LI	DATE	12-8-2009	MATERIAL	*
CHECK		DATE		DWG. NO.	TZ\SH396MS-PA9T/B
APPROVAL		DATE		SHEET	

PART NAME	3.5mm STEREO JACK	TOLERANCE UNLESS	0.0±0.2	UNIT:	mm
PART NO.	TSH-396MS	OTHERWISE SPECIFIED:	0.00±0.1 0.000±0.05		

F

E

D

C

B

A