

F

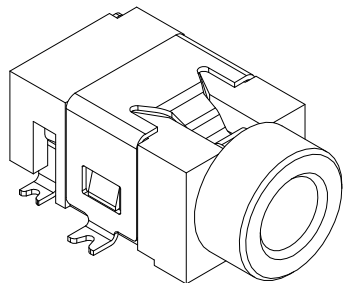
E

D

C

B

A

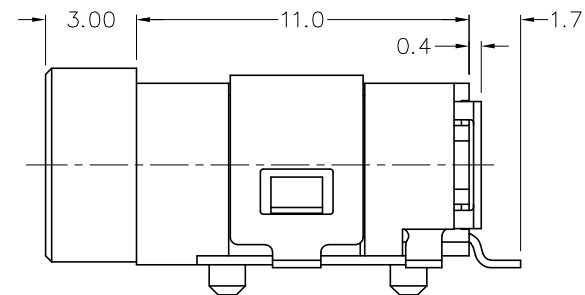
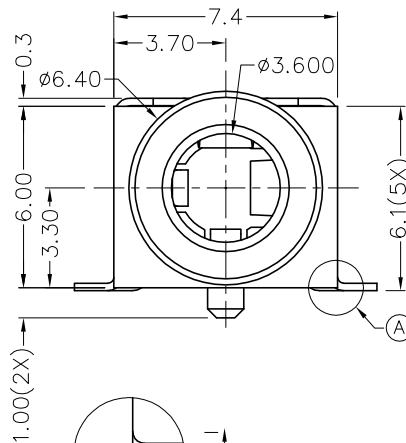
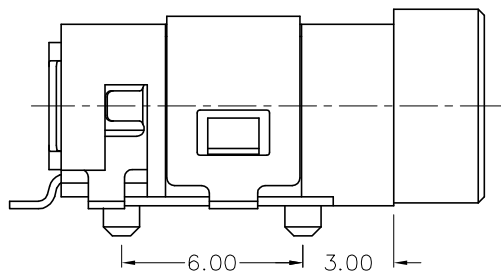


RoHS  
Compliant

ZONE	SYMBOL	REVISION	APPROVAL	DATE
		ADDED INDICATION OF COPLANARITY	J.X.KUANG	1-12-2008

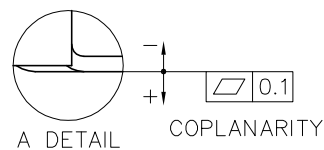
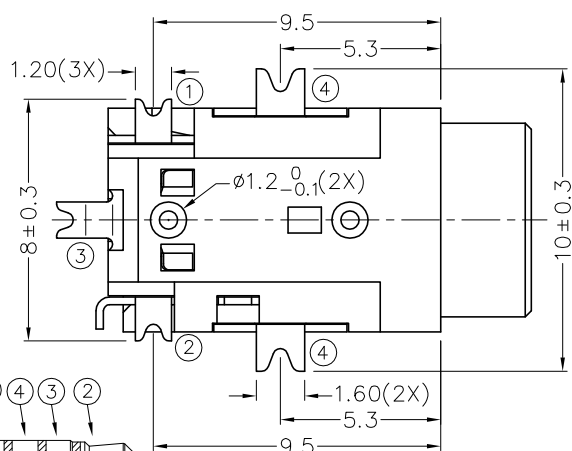
1

1



2

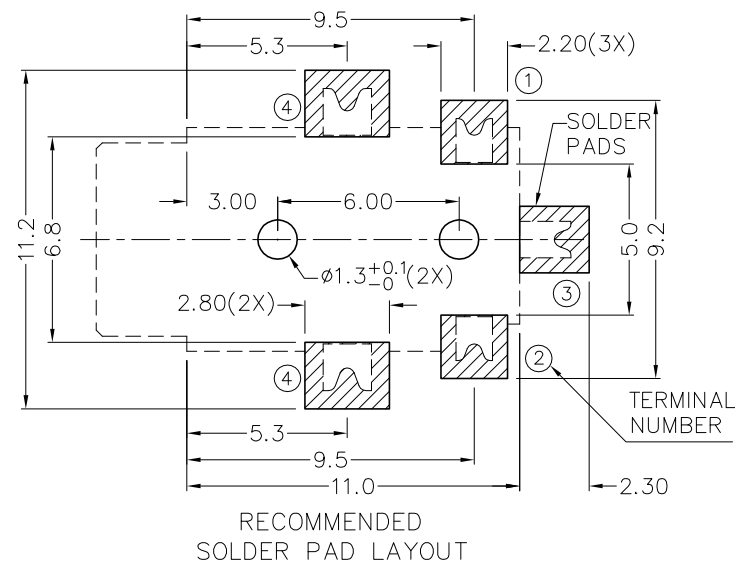
2



\* MATERIAL

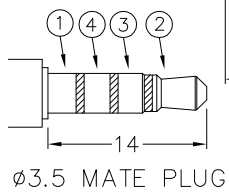
TERMINAL 1 : COPPER ALLOY  
 TERMINAL 2 : COPPER ALLOY  
 TERMINAL 3 : COPPER ALLOY  
 TERMINAL 4 : COPPER ALLOY  
 HOUSING : PA6T

MODEL NO.	TSH-3944D
SCHMATIC	



3

3



ø3.5 MATE PLUG

4

4



**CHAMPWAY** 冠泰電子有限公司  
 CHAMPWAY ELECTRONICS CO., LTD.

PART NAME 3.5mm SMD STEREO JACK  
 PART NO. TSH-394D

TOLERANCE UNLESS 0.0±0.2  
 0.00±0.1  
 OTHERWISE SPECIFIED: 0.000±0.05

UNIT: mm

DESIGN	T.Y.LI	DATE	19-9-2006	SCALE	4:1
DRAWING	T.Y.LI	DATE	1-12-2008	MATERIAL	*
CHECK		DATE		DWG. NO.	TZ\SH394D-PA6T/B
APPROVAL		DATE		SHEET	

F

E

D

C

B

A