

F

E

D

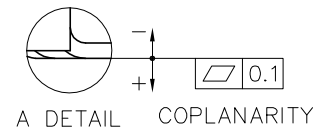
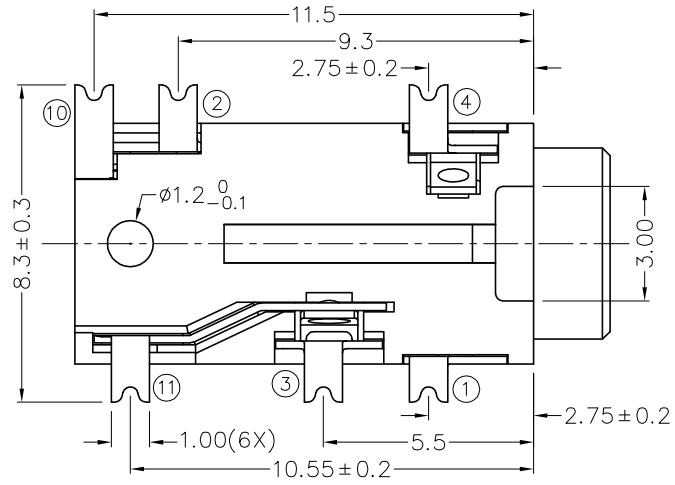
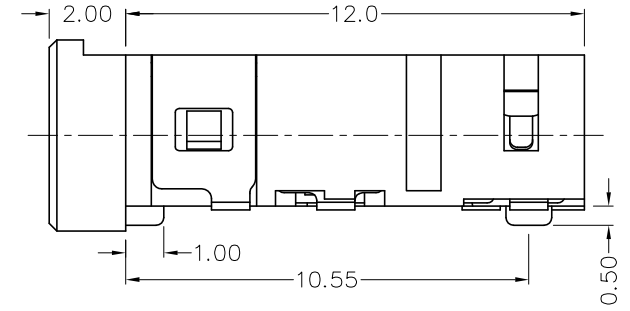
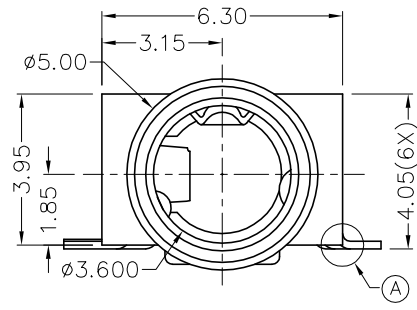
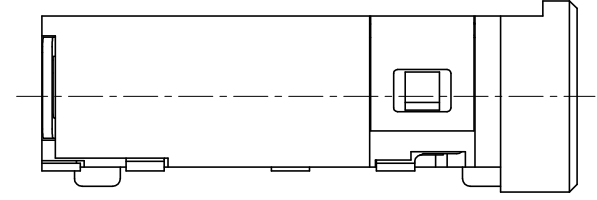
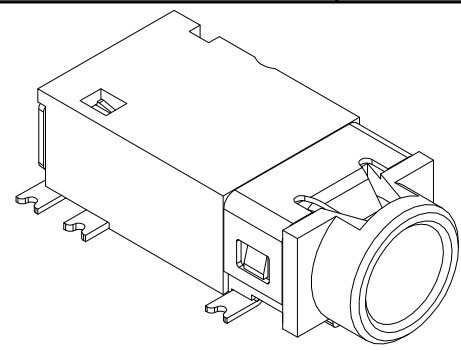
C

B

A

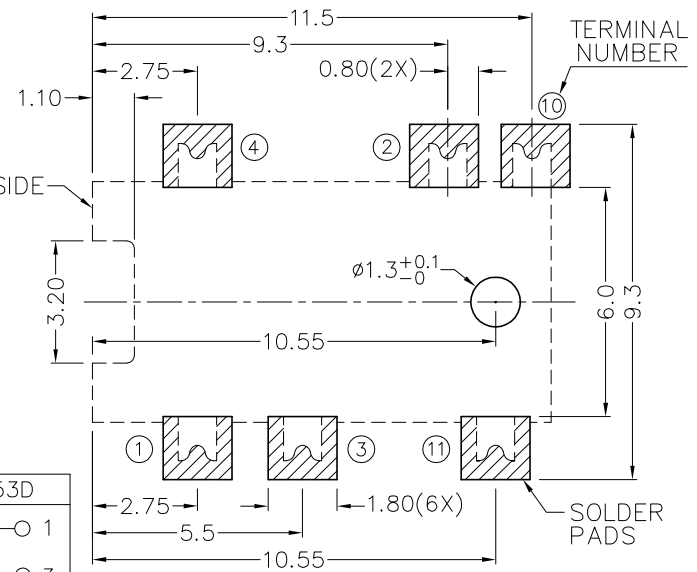
RoHS  
Compliant

ZONE	SYMBOL	REVISION	APPROVAL	DATE
		ADD SCHEMATIC	J.X.KUANG	13-2-2009

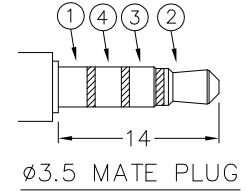


\* MATERIAL  
 TERMINAL 1 : COPPER ALLOY  
 TERMINAL 2 : COPPER ALLOY  
 TERMINAL 3 : COPPER ALLOY  
 TERMINAL 4 : COPPER ALLOY  
 TERMINAL 10 : COPPER ALLOY  
 TERMINAL 11 : COPPER ALLOY  
 HOUSING : PA6T

P.C.B LAYOUT SIDE



RECOMMENDED  
SOLDER PAD LAYOUT



MODEL NO.	TSH-3956D	TSH-3955AD	TSH-3955BD	TSH-3954D	TSH-3953D
SCHMATIC					

**CHAMPWAY** 冠泰电子有限公司  
 CHAMPWAY ELECTRONICS CO., LTD.

DESIGN	T.Y.LI	DATE	29-9-2006	SCALE	5:1
DRAWING	T.Y.LI	DATE	13-2-2009	MATERIAL	*
CHECK		DATE		DWG. NO.	TZ\SH395D-PA6T/C
APPROVAL		DATE		SHEET	

PART NAME	3.5mm SMD STEREO JACK	TOLERANCE UNLESS	0.0±0.2	UNIT:	
PART NO.	TSH-395D	OTHERWISE SPECIFIED:	0.00±0.1 0.000±0.05	mm	

F

E

D

C

B

A