

F

E

D

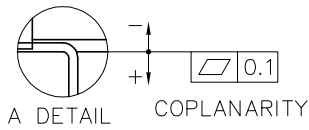
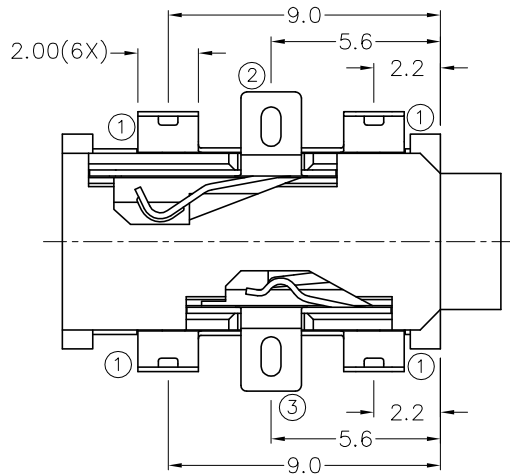
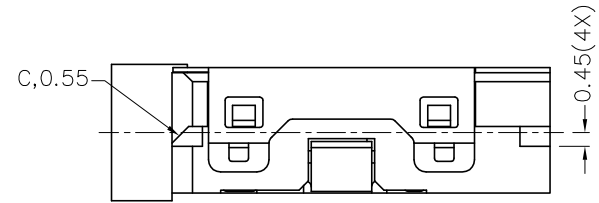
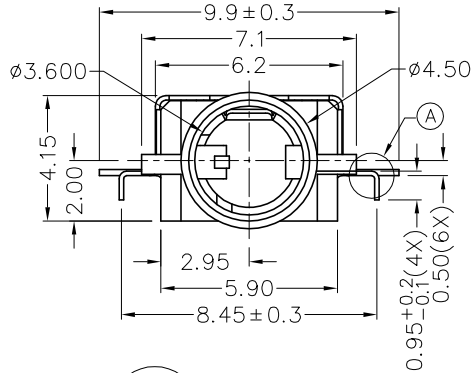
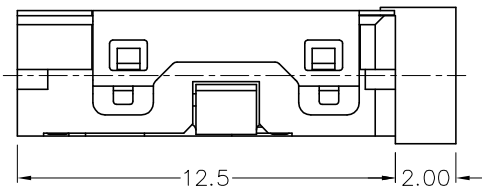
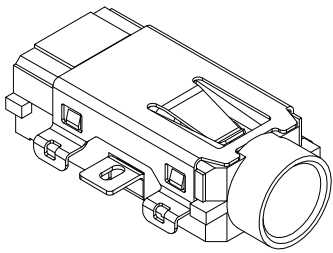
C

B

A

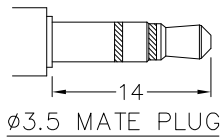
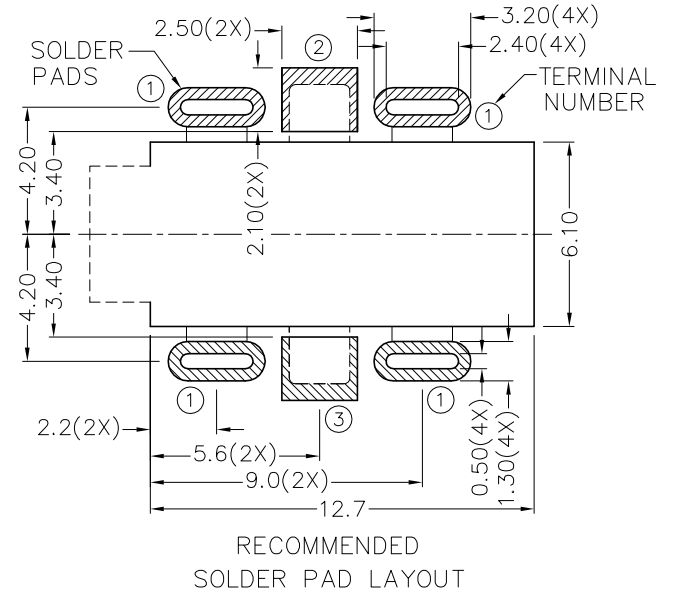
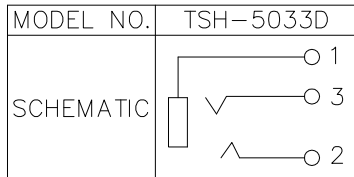
ZONE	SYMBOL	REVISION	APPROVAL	DATE
		ADDED INDICATION OF COPLANARITY	J.X.KUANG	16-12-2008

RoHS
Compliant



* MATERIAL

- TERMINAL 1 : STAINLESS STEEL
- TERMINAL 2 : COPPER ALLOY
- TERMINAL 3 : COPPER ALLOY
- HOUSING : PA6T



CHAMPWAY 冠泰電子有限公司
CHAMPWAY ELECTRONICS CO., LTD.

DESIGN	T.Y.LI	DATE	22-8-2007	SCALE	4:1
DRAWING	T.Y.LI	DATE	16-12-2008	MATERIAL	*
CHECK		DATE		DWG. NO.	TZ\SH503D-PA6T/B
APPROVAL		DATE		SHEET	

PART NAME	3.5mm SMD STEREO JACK	TOLERANCE UNLESS	0.0±0.2	UNIT: mm
PART NO.	TSH-503D	OTHERWISE SPECIFIED:	0.00±0.1 0.000±0.05	

F

E

D

C

B

A