

F

E

D

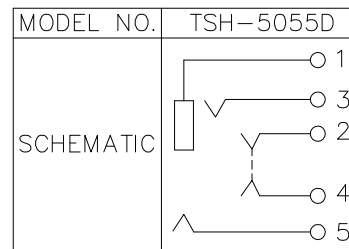
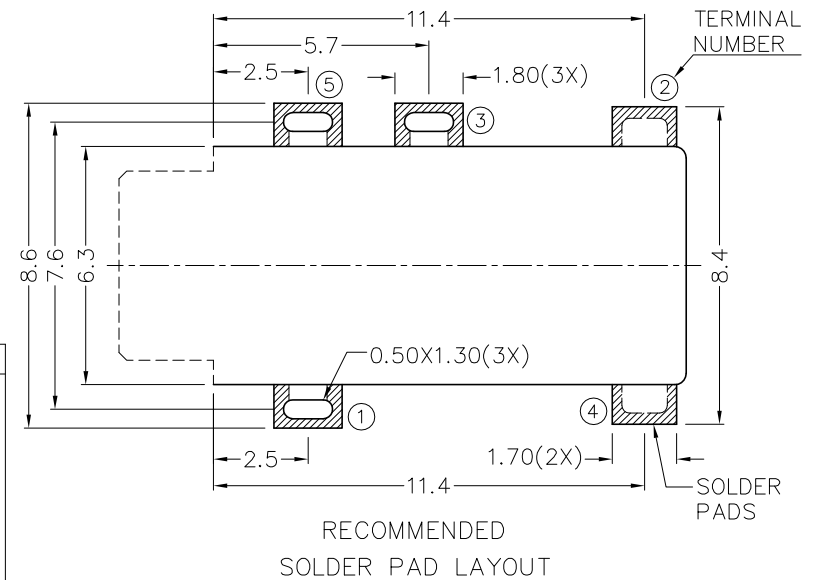
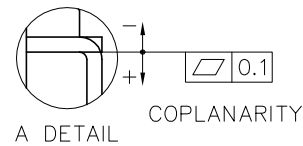
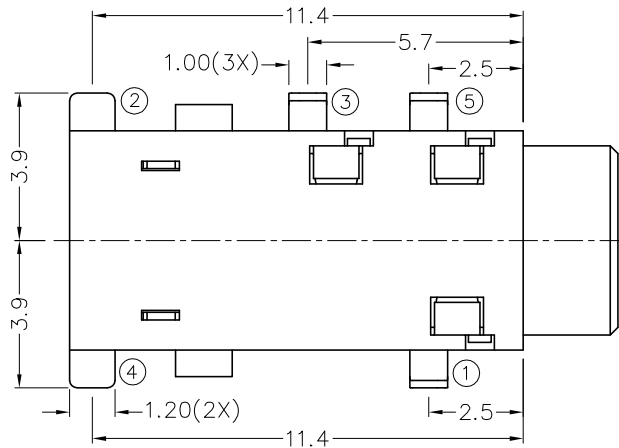
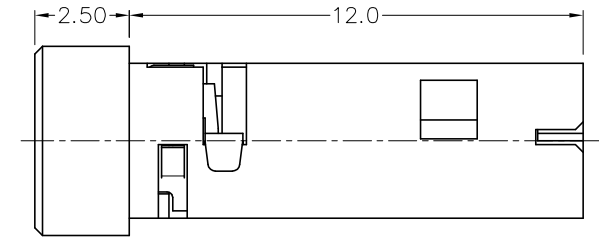
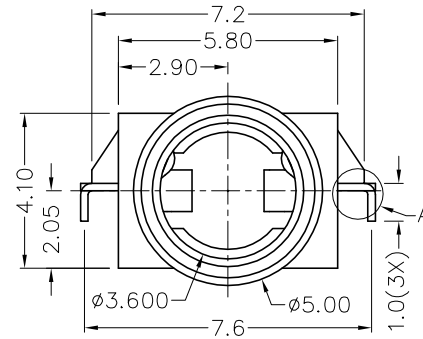
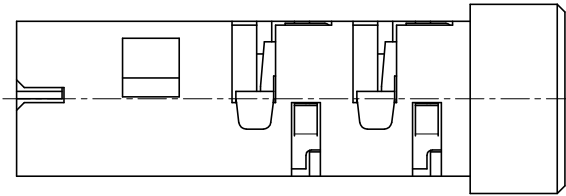
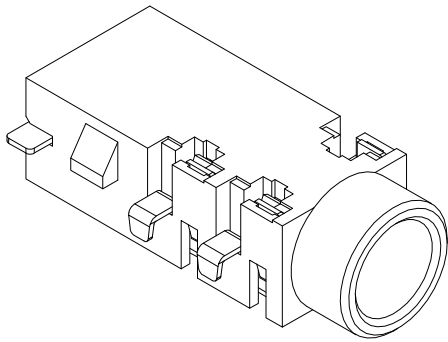
C

B

A

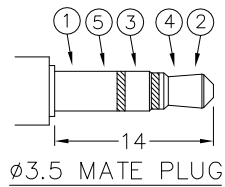
RoHS  
Compliant

ZONE	SYMBOL	REVISION	APPROVAL	DATE
		ADDED INDICATION OF COPLANARITY	J.X.KUANG	16-12-2008



\* MATERIAL

TERMINAL 1 : COPPER ALLOY  
 TERMINAL 2 : COPPER ALLOY  
 TERMINAL 3 : COPPER ALLOY  
 TERMINAL 4 : COPPER ALLOY  
 TERMINAL 5 : COPPER ALLOY  
 HOUSING : PA6T



**CHAMPWAY** 冠泰電子有限公司  
 CHAMPWAY ELECTRONICS CO., LTD.

DESIGN	T.Y.LI	DATE	5-11-2007	SCALE	5:1
DRAWING	T.Y.LI	DATE	16-12-2008	MATERIAL	*
CHECK		DATE		DWG. NO.	TZ\SH505D-PA6T/B
APPROVAL		DATE		SHEET	

PART NAME 3.5mm SMD STEREO JACK

TOLERANCE UNLESS 0.0±0.2  
 0.00±0.1  
 OTHERWISE SPECIFIED: 0.000±0.05

UNIT: mm

PART NO. TSH-505D

F

E

D

C

B

A