

F

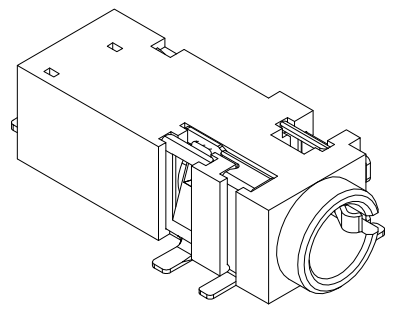
E

D

C

B

A

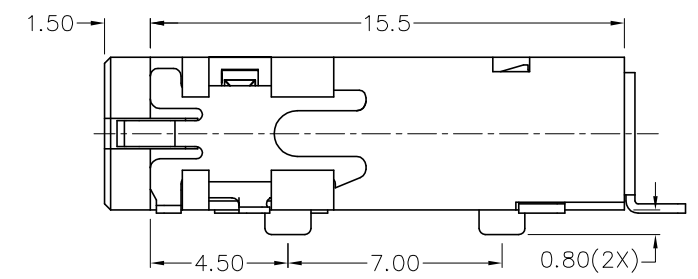
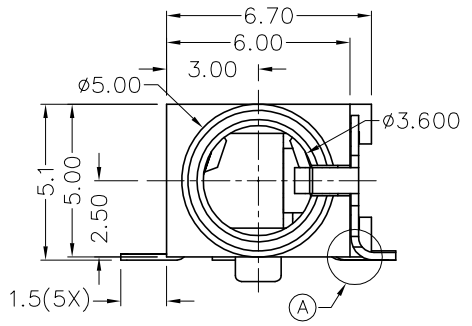
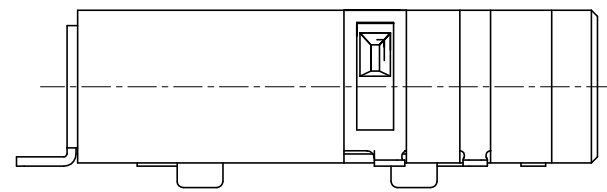


RoHS
Compliant

ZONE	SYMBOL	REVISION	APPROVAL	DATE
		ADDED INDICATION OF COPLANARITY	J.X.KUANG	21-11-2008

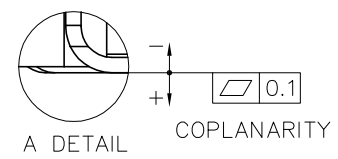
1

1



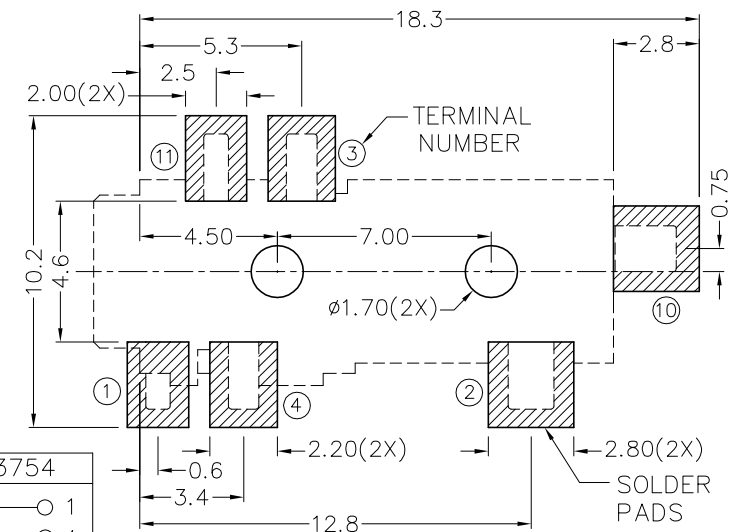
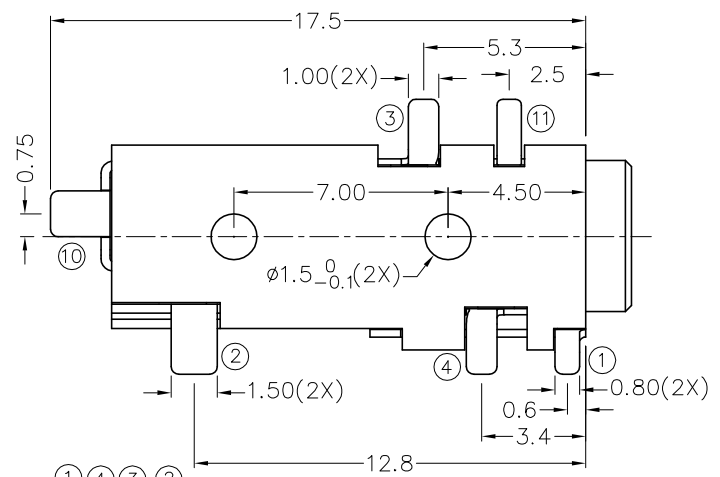
2

2



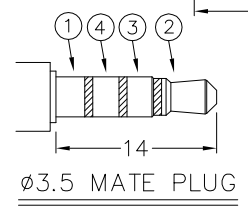
* MATERIAL

- TERMINAL 1 : COPPER ALLOY
- TERMINAL 2 : COPPER ALLOY
- TERMINAL 3 : COPPER ALLOY
- TERMINAL 4 : COPPER ALLOY
- TERMINAL 10 : BRASS
- TERMINAL 11 : COPPER ALLOY
- HOUSING : PA6T



3

3



MODEL NO.	TSH-3756	TSH-3755A	TSH-3755B	TSH-3754
SCHEMATIC				

4

4

CHAMPWAY 冠泰電子有限公司
CHAMPWAY ELECTRONICS CO., LTD.

DESIGN	J.JIANG	DATE	3-5-2004	SCALE	4:1
DRAWING	T.Y.LI	DATE	21-11-2008	MATERIAL	*
CHECK		DATE		DWG. NO.	TZ\SH375-PA6T/F
APPROVAL		DATE		SHEET	

PART NAME	3.5mm SMD STEREO JACK	TOLERANCE UNLESS	0.0±0.2	UNIT:	mm
PART NO.	TSH-375	OTHERWISE SPECIFIED:	0.00±0.1 0.000±0.05		

F

E

D

C

B

A