

F

E

D

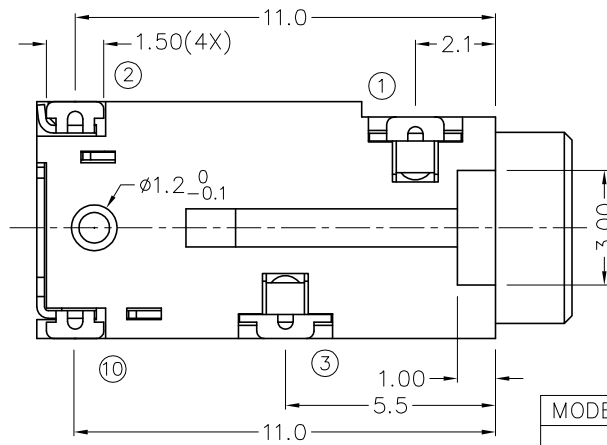
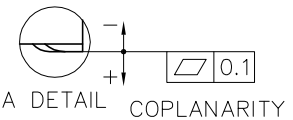
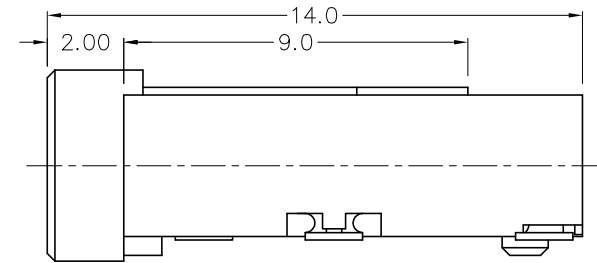
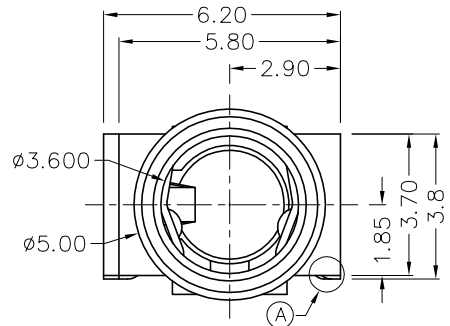
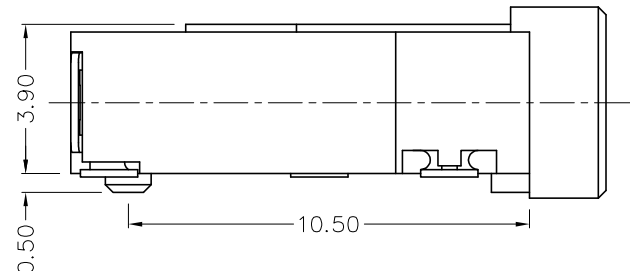
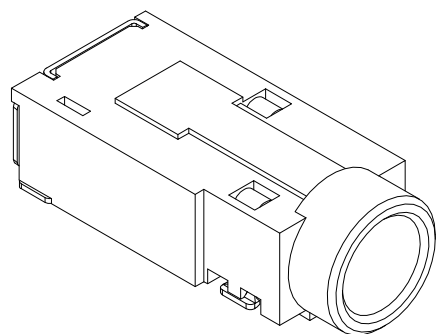
C

B

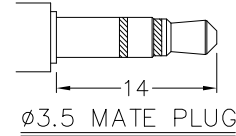
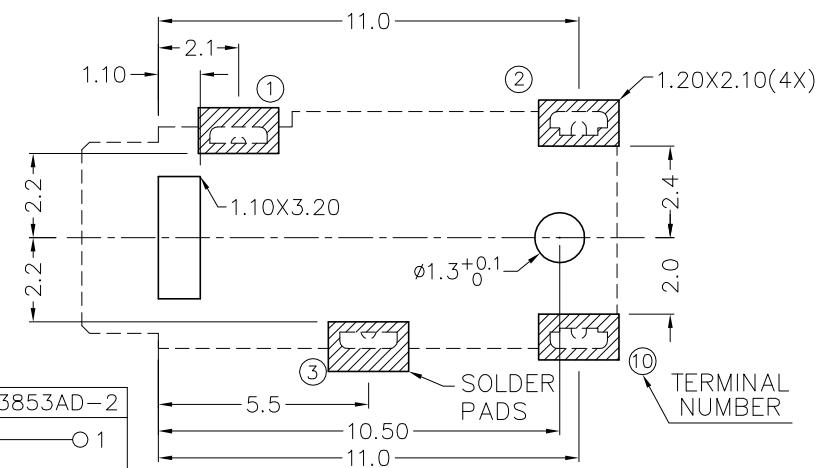
A

RoHS
Compliant

ZONE	SYMBOL	REVISION	APPROVAL	DATE
		ADDED INDICATION OF COPLANARITY	J.X.KUANG	21-11-2008



*** MATERIAL**
 TERMINAL 1 : COPPER ALLOY
 TERMINAL 2 : COPPER ALLOY
 TERMINAL 3 : COPPER ALLOY
 TERMINAL 10: BRASS
 HOUSING : PA6T



MODEL NO.	TSH-3854D-2	TSH-3853D-2	TSH-3853AD-2
SCHEMATIC			

RECOMMENDED
SOLDER PAD LAYOUT

CHAMPWAY 冠泰電子有限公司
 CHAMPWAY ELECTRONICS CO., LTD.

DESIGN	J.JIANG	DATE	24-1-2005	SCALE	5:1
DRAWING	T.Y.LI	DATE	21-11-2008	MATERIAL	*
CHECK		DATE		DWG. NO.	TZ\SH385D-2-PA6T/C
APPROVAL		DATE		SHEET	

PART NAME	3.5mm SMD STEREO JACK	TOLERANCE UNLESS	0.0±0.2	UNIT:	
PART NO.	TSH-385D-2	OTHERWISE SPECIFIED:	0.00±0.1 0.000±0.05		

F

E

D

C

B

A