

F

E

D

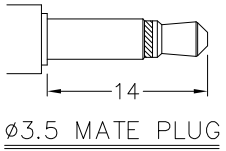
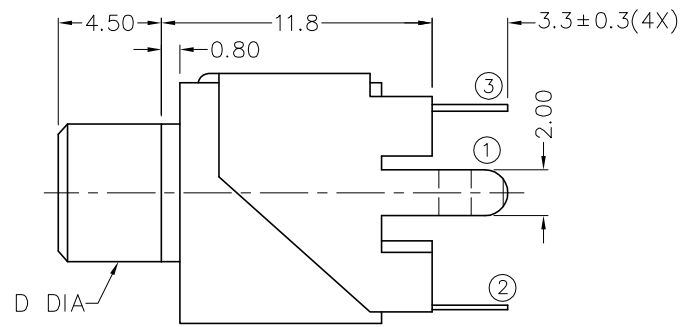
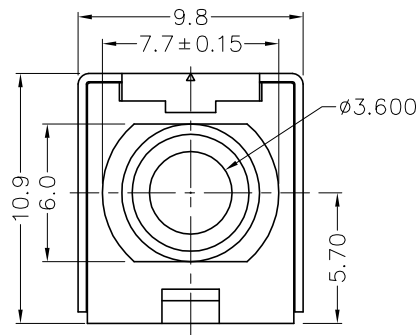
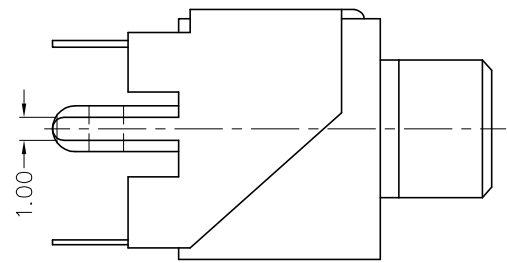
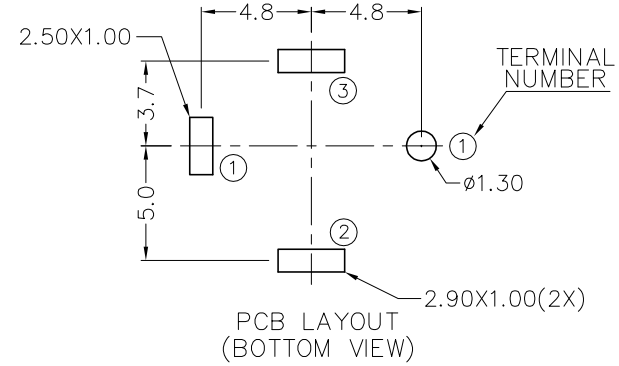
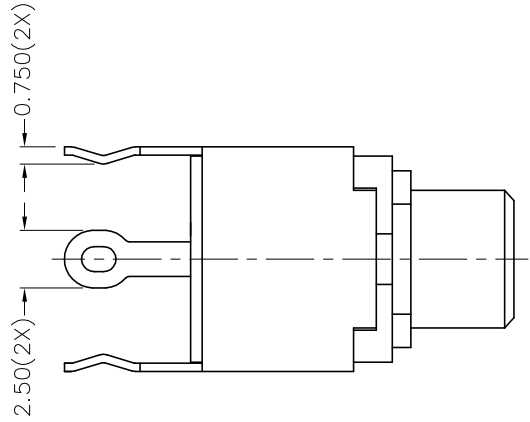
C

B

A

RoHS
Compliant

ZONE	SYMBOL	REVISION	APPROVAL	DATE
		MODIFY DIM.	J.X.KUANG	18-10-2008



MODEL NO.	TG-35N4-4	TG-35F5-4
D DIA	THREADED M6X0.5	FLASHED $\phi 5.5$
SCHEMATIC		

* MATERIAL
 TERMINAL 1 : COLD ROLLED STEEL
 TERMINAL 2 : COPPER ALLOY
 TERMINAL 3 : BRASS
 BUSHING : BRASS
 HOUSING : PBT

CHAMPWAY 冠泰電子有限公司
 CHAMPWAY ELECTRONICS CO., LTD.

PART NAME	3.5mm PHONE JACK	TOLERANCE UNLESS	0.0±0.2	UNIT:	mm	DESIGN	J.X.KUANG	DATE	13-12-2003	SCALE	3:1
PART NO.	TG-35-4	OTHERWISE SPECIFIED:	0.00±0.1 0.000±0.05			DRAWING	T.Y.LI	DATE	18-10-2008	MATERIAL	*
						CHECK		DATE		DWG. NO.	TZ\TG35-4-PBT/C
						APPROVAL		DATE		SHEET	

F

E

D

C

B

A