

F

E

D

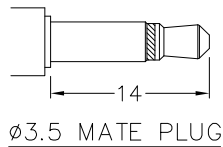
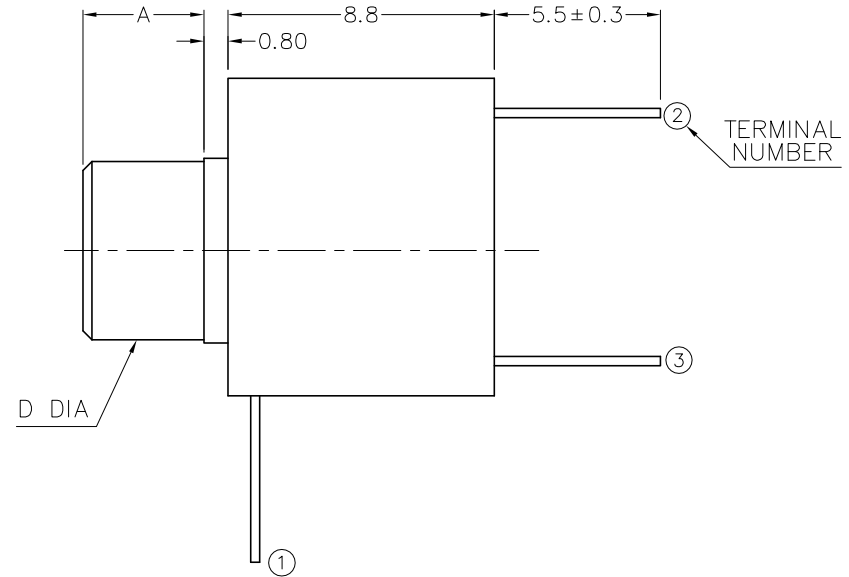
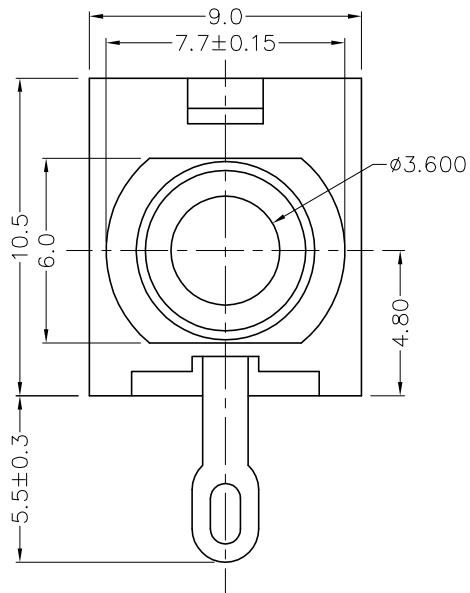
C

B

A

RoHS
Compliant

ZONE	SYMBOL	REVISION	APPROVAL	DATE
		ADD MATE PLUG	J.X.KUANG	14-9-2006



MODEL NO.	TG-35F	TG-35N	TG-35F3	TG-35N4	TG-35F5	TG-35N6
D DIA	FLASHED ø6.0	THREADED M6X0.5	FLASHED ø6.0	THREADED M6X0.5	FLASHED ø5.5	THREADED M6X0.5
A	3.0mm	4.0mm	4.0mm	4.5mm	4.5mm	3.0mm
SCHEMATIC						

* MATERIAL

TERMINAL 1 : BRASS
TERMINAL 2 : COPPER ALLOY
TERMINAL 3 : BRASS
BUSHING : BRASS
HOUSING : PBT



CHAMPWAY 冠泰電子有限公司
CHAMPWAY ELECTRONICS CO., LTD.

DESIGN	L.L.ZHANG	DATE	7-7-2005	SCALE	4:1
DRAWING	L.L.ZHANG	DATE	14-9-2006	MATERIAL	*
CHECK		DATE		DWG. NO.	TZ\TG35-PBT/C
APPROVAL		DATE		SHEET	

PART NAME	3.5mm PHONE JACK	TOLERANCE UNLESS	0.0±0.2	UNIT:	
PART NO.	TG-35	OTHERWISE SPECIFIED:	0.00±0.1 0.000±0.05	mm	

F

E

D

C

B

A

DCF-04/A