

F

E

D

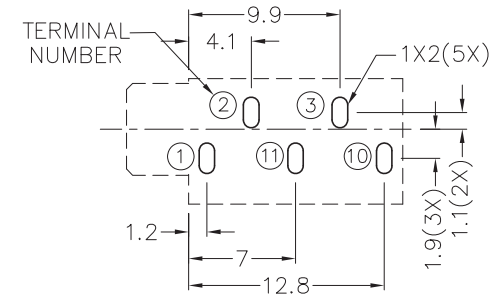
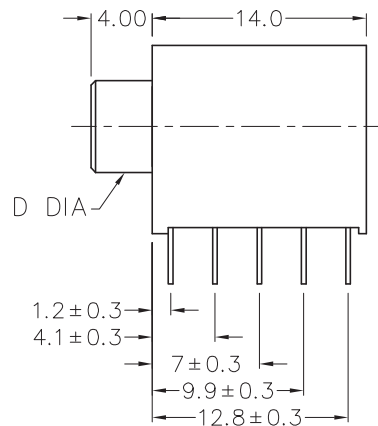
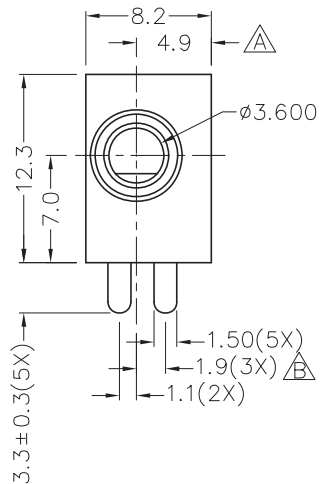
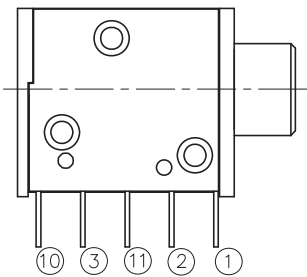
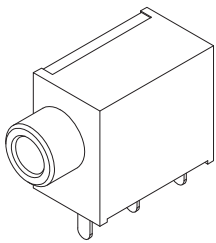
C

B

A

ZONE	SYMBOL	REVISION	APPROVAL	DATE
D1	△	5.00 MODIFIED TO 4.9	J.X.KUANG	18-10-2013
D2	△	2.0 MODIFIED TO 1.9	J.X.KUANG	18-10-2013

RoHS
Compliant

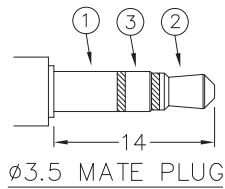


RECOMMENDED PCB LAYOUT
TOLERANCE: ±0.05
(TOP VIEW)

THREADED	M6X0.5	MODEL NO.	TSH-3785N	TSH-3784AN	TSH-3784BN	TSH-3783N	TSH-3783AN
FLASHED	ø6.0	MODEL NO.	TSH-3785F	TSH-3784AF	TSH-3784BF	TSH-3783F	TSH-3783AF
D DIA		SCHEMATIC					

* MATERIAL

- TERMINAL 1 : BRASS
- TERMINAL 2 : BRASS
- TERMINAL 3 : BRASS
- TERMINAL 10 : BRASS
- TERMINAL 11 : BRASS
- BUSHING : BRASS
- SPRING : STAINLESS STEEL
- HOUSING : PBT
- COVER : PBT



CHAMPWAY 冠泰電子有限公司
CHAMPWAY ELECTRONICS CO., LTD.

DESIGN	J.X.KUANG	DATE	7-10-2003	SCALE	2:1
DRAWING	T.Y.LI	DATE	18-10-2013	MATERIAL	*
CHECK		DATE		DWG. NO.	TZ\SH378-PBT/C
APPROVAL		DATE		SHEET	

PART NAME	3.5mm STEREO JACK	TOLERANCE UNLESS	0.0±0.2	UNIT:	
PART NO.	TSH-378	OTHERWISE SPECIFIED:	0.00±0.1 0.000±0.05	mm	

F

E

D

C

B

A