

F

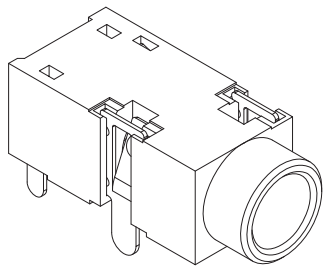
E

D

C

B

A



RoHS
Compliant

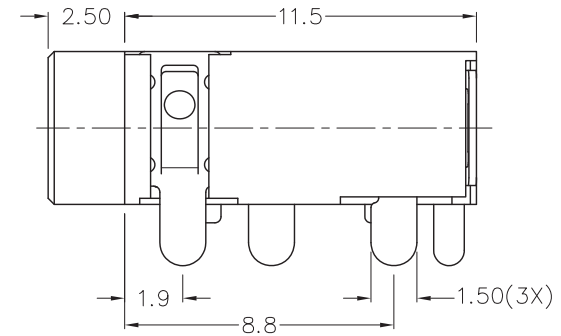
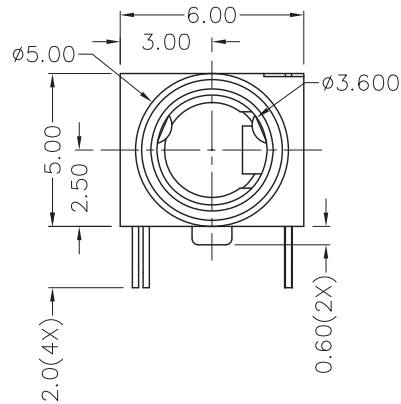
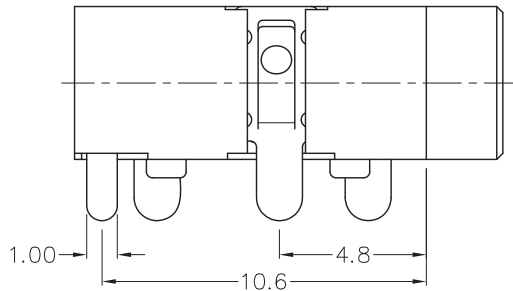
| ZONE | SYMBOL | REVISION | APPROVAL | DATE |
|------|--------|-----------------|-----------|----------|
| | | DESIGN MODIFIED | J.X.KUANG | 8-1-2012 |
| | | | | |
| | | | | |

1

1

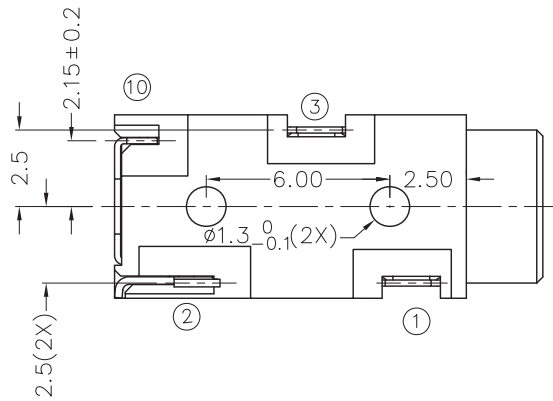
2

2



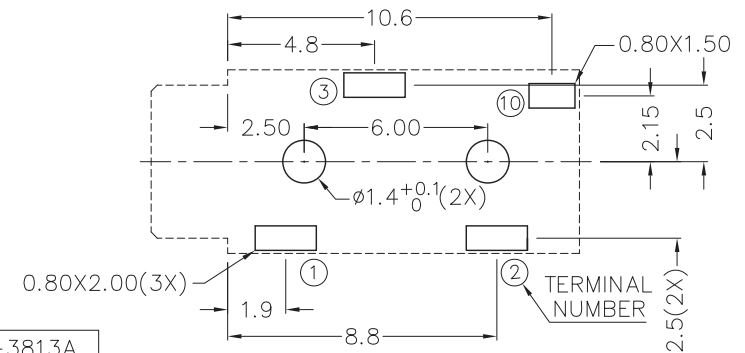
3

3



* MATERIAL

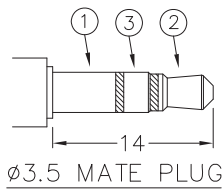
TERMINAL 1 : COPPER ALLOY
 TERMINAL 2 : COPPER ALLOY
 TERMINAL 3 : COPPER ALLOY
 TERMINAL 10 : COPPER ALLOY
 HOUSING : PA66



PCB LAYOUT
(TOP VIEW)

4

4



| MODEL NO. | TSH-3814 | TSH-3813 | TSH-3813A |
|-----------|----------|----------|-----------|
| SCHEMATIC | | | |



CHAMPWAY 冠泰電子有限公司
 CHAMPWAY ELECTRONICS CO., LTD.

PART NAME: 3.5mm STEREO JACK
 PART NO.: TSH-381

TOLERANCE UNLESS OTHERWISE SPECIFIED: 0.0±0.2, 0.00±0.1, 0.000±0.05

UNIT: mm

| | | | | | |
|----------|-----------|------|-----------|----------|-----------------|
| DESIGN | J.X.KUANG | DATE | 10-9-2004 | SCALE | 4:1 |
| DRAWING | CH.XIONG | DATE | 8-1-2012 | MATERIAL | * |
| CHECK | | DATE | | DWG. NO. | TZ\SH381-PA66/D |
| APPROVAL | | DATE | | SHEET | |

F

E

D

C

B

A