

F

E

D

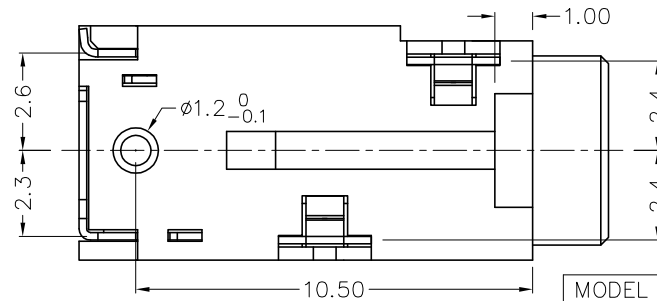
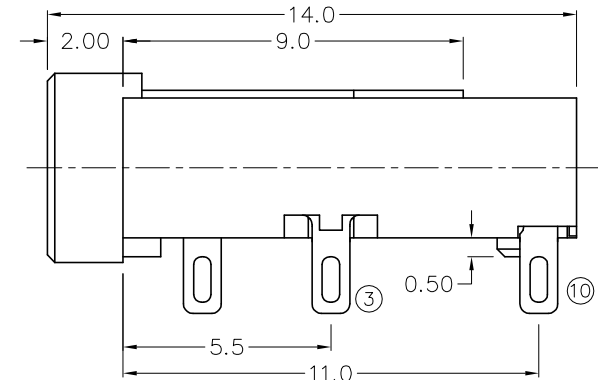
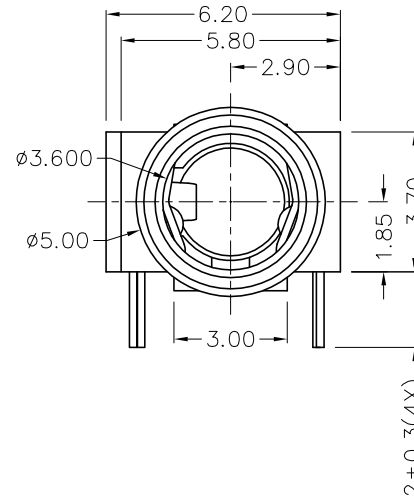
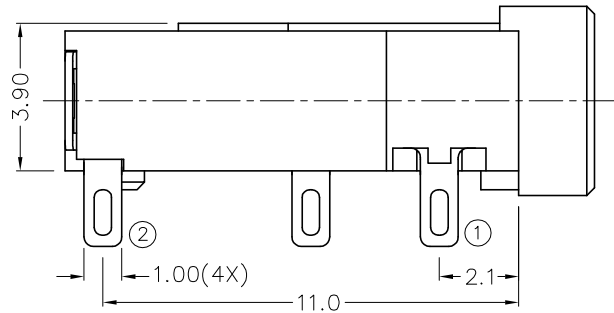
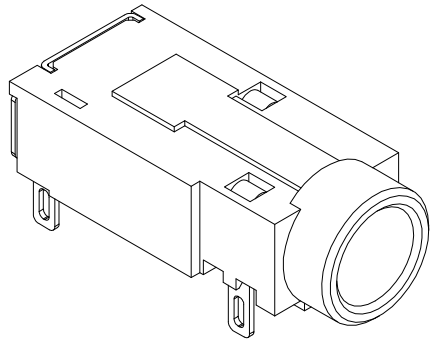
C

B

A

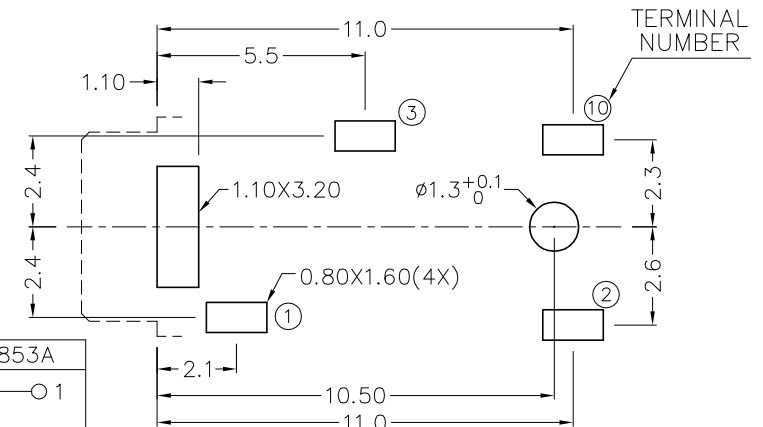
RoHS
Compliant

ZONE	SYMBOL	REVISION	APPROVAL	DATE
		ADD MATE PLUG	J.X.KUANG	3-8-2006

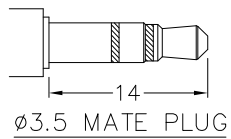


* MATERIAL

TERMINAL 1 : COPPER ALLOY
 TERMINAL 2 : COPPER ALLOY
 TERMINAL 3 : COPPER ALLOY
 TERMINAL 10: BRASS
 HOUSING : PA66



PCB LAYOUT
(BOTTOM VIEW)



φ3.5 MATE PLUG

MODEL NO.	TSH-3854	TSH-3853	TSH-3853A
SCHEMATIC			



CHAMPWAY 冠泰電子有限公司
 CHAMPWAY ELECTRONICS CO., LTD.

DESIGN	L.L.ZHANG	DATE	18-5-2005	SCALE	5:1
DRAWING	T.Y.LI	DATE	3-8-2006	MATERIAL	*
CHECK		DATE		DWG. NO.	TZ\SH385-PA66/B
APPROVAL		DATE		SHEET	

PART NAME	3.5mm STEREO JACK	TOLERANCE UNLESS	0.0±0.2	UNIT:	
PART NO.	TSH-385	OTHERWISE SPECIFIED:	0.00±0.1 0.000±0.05	mm	

F

E

D

C

B

A

DCF-04/A