

F

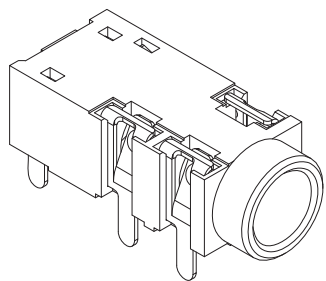
E

D

C

B

A

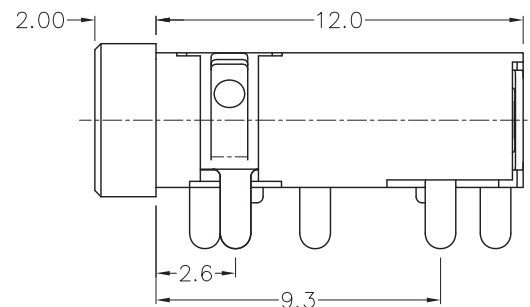
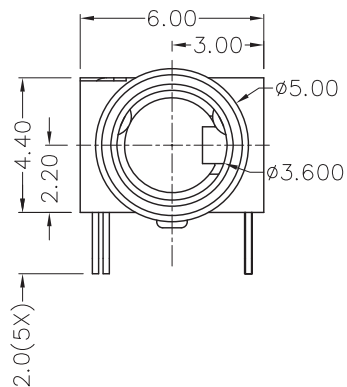
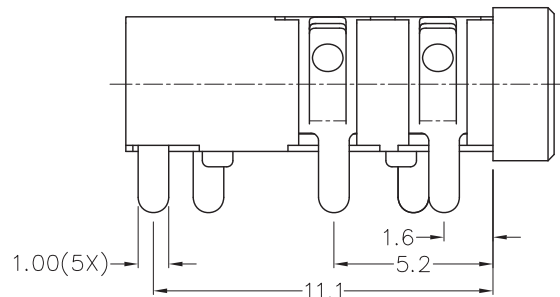


RoHS
Compliant

ZONE	SYMBOL	REVISION	APPROVAL	DATE
		DESIGN MODIFIED	J.X.KUANG	14-5-2012

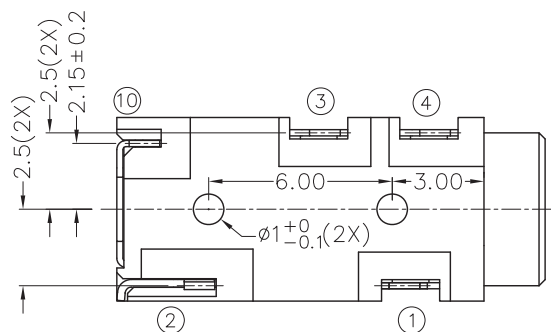
1

1



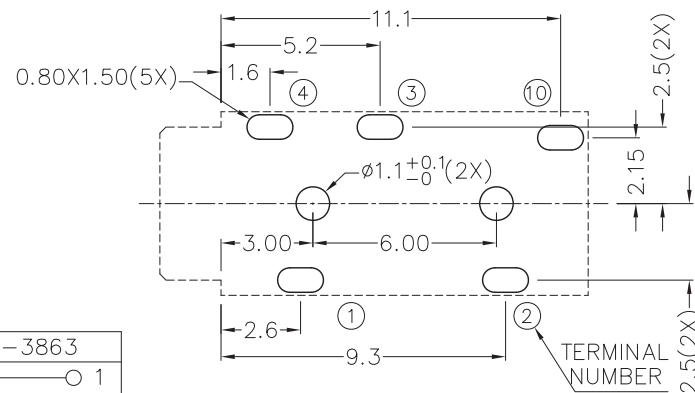
2

2



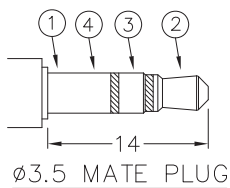
* MATERIAL

- TERMINAL 1 : COPPER ALLOY
- TERMINAL 2 : COPPER ALLOY
- TERMINAL 3 : COPPER ALLOY
- TERMINAL 4 : COPPER ALLOY
- TERMINAL 10: COPPER ALLOY
- HOUSING : PA66



3

3



MODEL NO.	TSH-3865	TSH-3864	TSH-3864A	TSH-3863
SCHEMATIC				

PCB LAYOUT
(TOP VIEW)

4

4

CHAMPWAY 冠泰电子有限公司
CHAMPWAY ELECTRONICS CO., LTD.

DESIGN	T.Y.LI	DATE	14-7-2005	SCALE	4:1
DRAWING	CH.XIONG	DATE	14-5-2012	MATERIAL	*
CHECK		DATE		DWG. NO.	TZ\SH386-PA66/E
APPROVAL		DATE		SHEET	

PART NAME	3.5mm STEREO JACK
PART NO.	TSH-386

TOLERANCE UNLESS	0.0±0.2	UNIT:
OTHERWISE SPECIFIED:	0.00±0.1 0.000±0.05	

F

E

D

C

B

A