

F

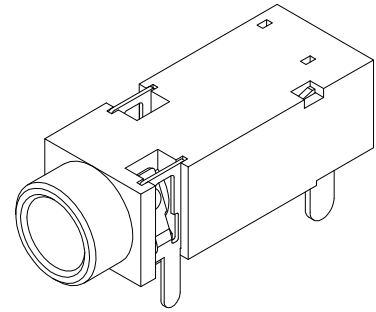
E

D

C

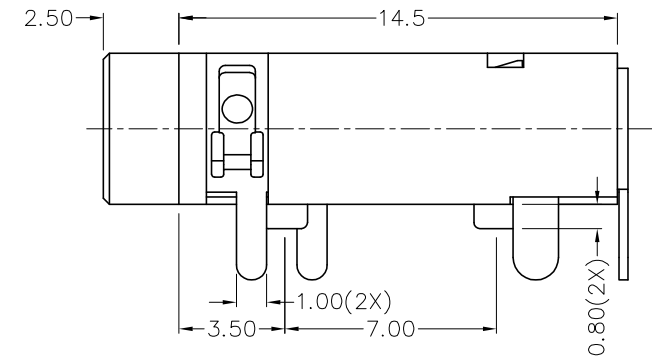
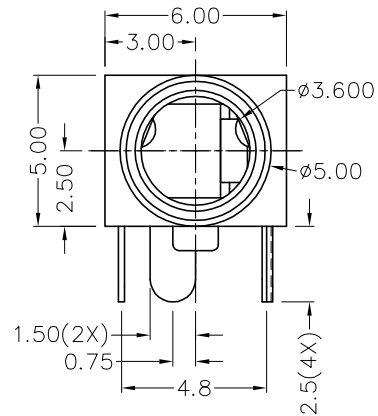
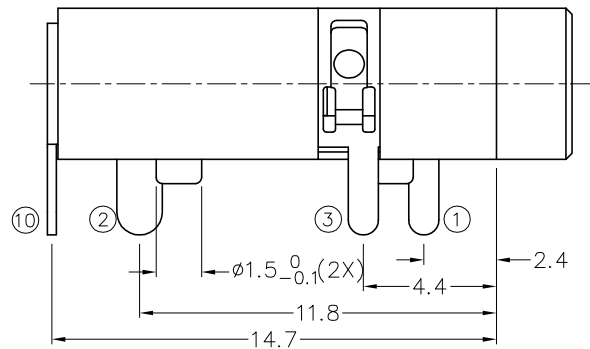
B

A



RoHS
Compliant

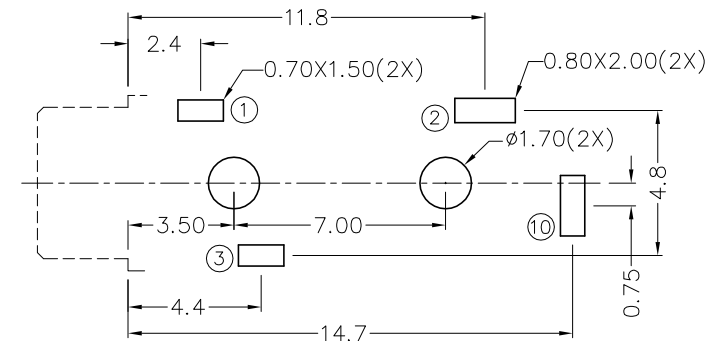
ZONE	SYMBOL	REVISION	APPROVAL	DATE
		CORRECTED LAYOUT	J.X.KUANG	8-9-2007



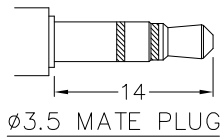
MODEL NO.	TSH-3874	TSH-3873	TSH-3873A
SCHEMATIC			

* MATERIAL

TERMINAL 1 : COPPER ALLOY
 TERMINAL 2 : COPPER ALLOY
 TERMINAL 3 : COPPER ALLOY
 TERMINAL 10 : BRASS
 HOUSING : PA66



PCB LAYOUT
(BOTTOM VIEW)



CHAMPWAY 冠泰電子有限公司
 CHAMPWAY ELECTRONICS CO., LTD.

DESIGN	G.P.YI	DATE	18-5-2006	SCALE	4:1
DRAWING	T.Y.LI	DATE	8-9-2007	MATERIAL	*
CHECK		DATE		DWG. NO.	TZ\SH387-PA66/B
APPROVAL		DATE		SHEET	

PART NAME 3.5mm STEREO JACK

TOLERANCE UNLESS 0.0±0.2
 0.00±0.1
 OTHERWISE SPECIFIED: 0.000±0.05

UNIT: mm



F

E

D

C

B

A