

F

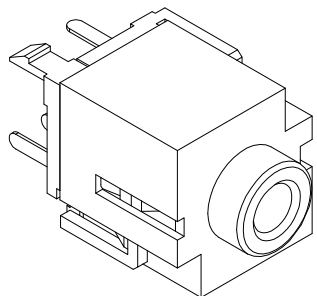
E

D

C

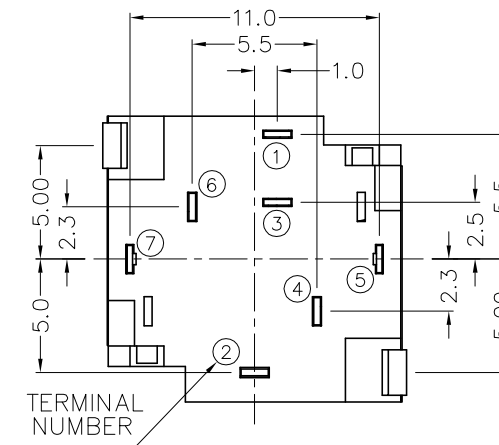
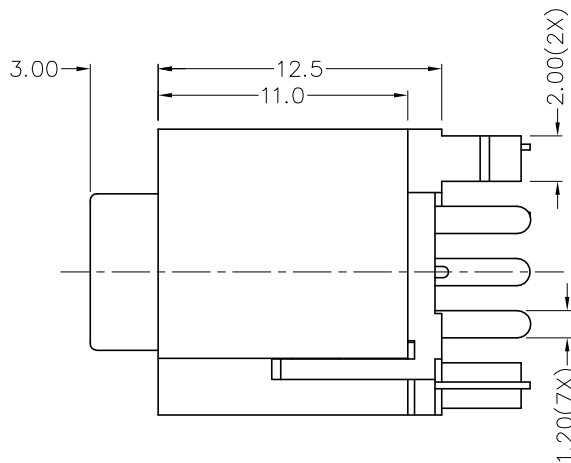
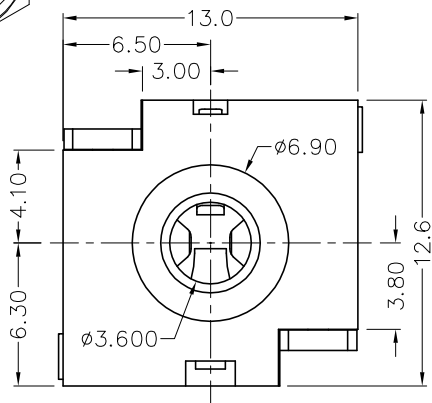
B

A



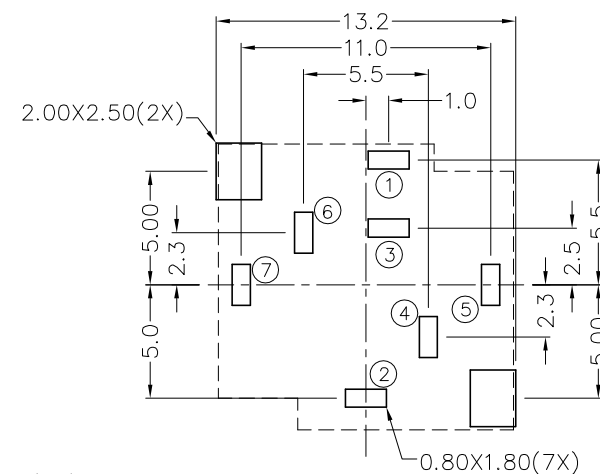
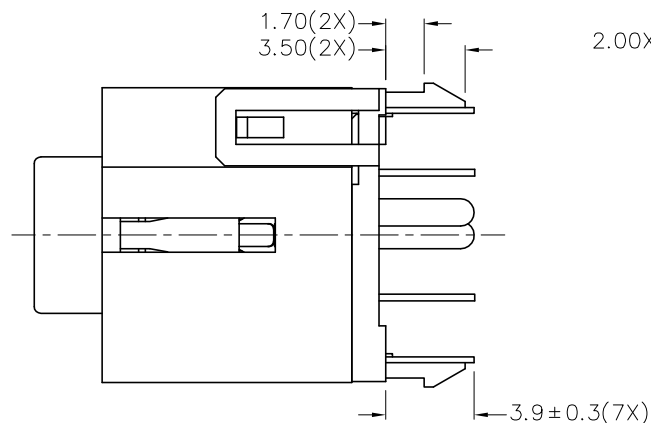
RoHS
Compliant

ZONE	SYMBOL	REVISION	APPROVAL	DATE
		ADD MATE PLUG	J.X.KUANG	6-10-2006

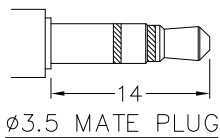
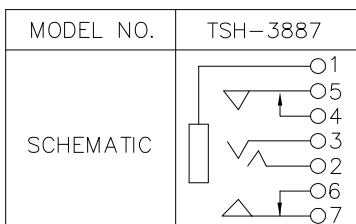


* MATERIAL

TERMINAL 1 : COPPER ALLOY
 TERMINAL 2 : COPPER ALLOY
 TERMINAL 3 : COPPER ALLOY
 TERMINAL 4 : BRASS
 TERMINAL 5 : COPPER ALLOY
 TERMINAL 6 : BRASS
 TERMINAL 7 : COPPER ALLOY
 HOUSING : PBT
 COVER : PBT
 INSULATOR : PA66



PCB LAYOUT
(BOTTOM VIEW)



CHAMPWAY 冠泰電子有限公司
CHAMPWAY ELECTRONICS CO., LTD.

PART NAME	3.5mm STEREO JACK	TOLERANCE UNLESS	0.0±0.2	UNIT:	mm	DESIGN	L.L.ZHANG	DATE	1-7-2005	SCALE	3:1
PART NO.	TSH-388	OTHERWISE SPECIFIED:	0.00±0.1 0.000±0.05				DRAWING	L.L.ZHANG	DATE	6-10-2006	MATERIAL
						CHECK		DATE		DWG. NO.	TZ\SH388-PBT/B
						APPROVAL		DATE		SHEET	

F

E

D

C

B

A

DCF-04/A