

F

E

D

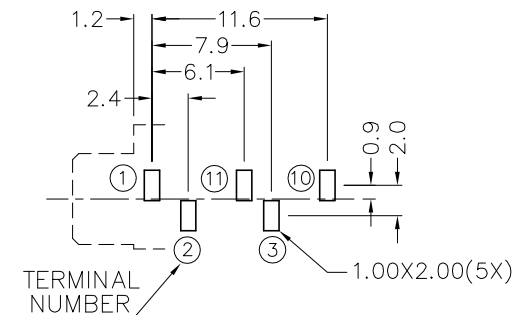
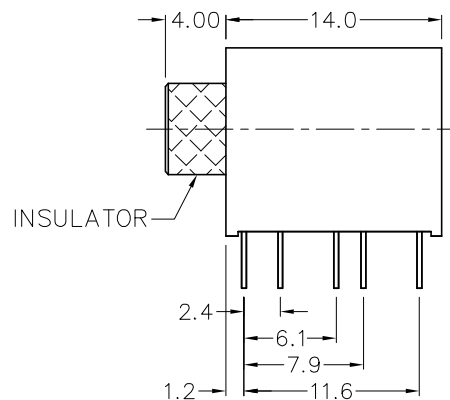
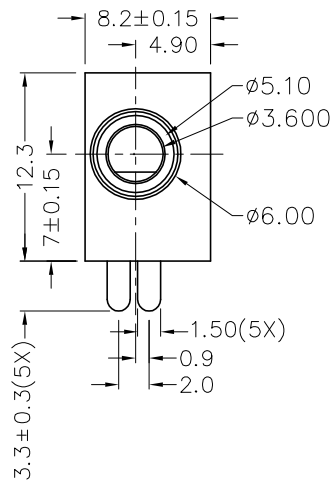
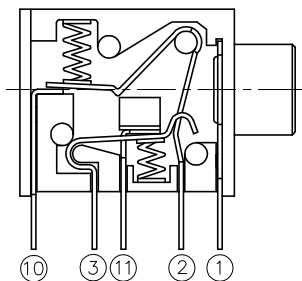
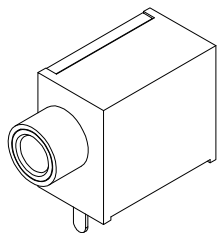
C

B

A

ZONE	SYMBOL	REVISION	APPROVAL	DATE
		ADD MATE PLUG	J.X.KUANG	6-10-2006

RoHS
Compliant

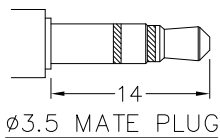


PCB LAYOUT
(BOTTOM VIEW)

MODEL NO.	TSH-3645	TSH-3644A	TSH-3644B	TSH-3643	TSH-3643A
SCHEMATIC					

* MATERIAL

TERMINAL 1 : BRASS
 TERMINAL 2 : BRASS
 TERMINAL 3 : BRASS
 TERMINAL 10 : BRASS
 TERMINAL 11 : BRASS
 BUSHING : BRASS
 SPRING : STAINLESS STEEL
 HOUSING : PBT
 COVER : PBT



CHAMPWAY 冠泰電子有限公司
CHAMPWAY ELECTRONICS CO., LTD.

DESIGN	L.L.ZHANG	DATE	21-7-2005	SCALE	2:1
DRAWING	L.L.ZHANG	DATE	6-10-2006	MATERIAL	*
CHECK		DATE		DWG. NO.	TZ\SH364-PBT/C
APPROVAL		DATE		SHEET	

PART NAME	3.5mm STEREO JACK	TOLERANCE UNLESS	0.0±0.2	UNIT:	
PART NO.	TSH-364	OTHERWISE SPECIFIED:	0.00±0.1 0.000±0.05	mm	

F

E

D

C

B

A

DCF-04/A