

F

E

D

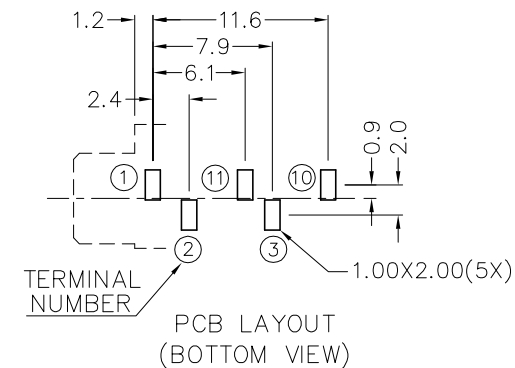
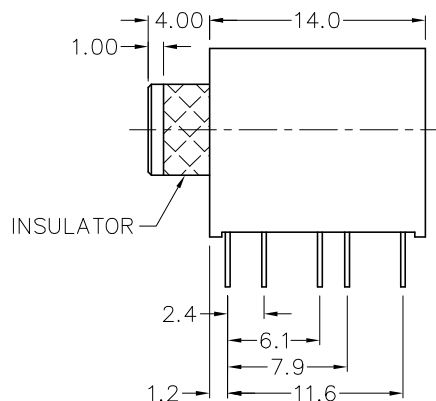
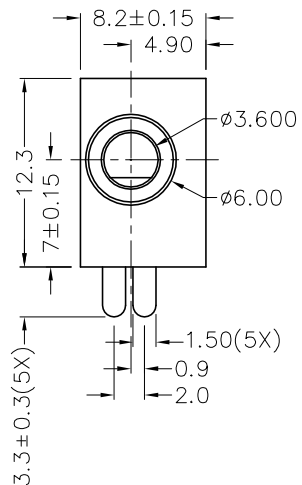
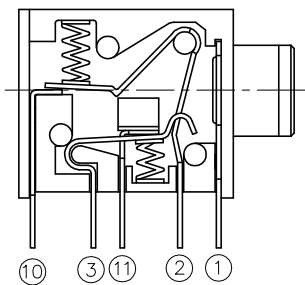
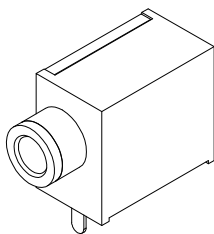
C

B

A

RoHS  
Compliant

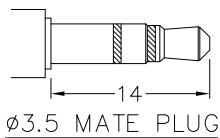
ZONE	SYMBOL	REVISION	APPROVAL	DATE
		ADD MATE PLUG	J.X.KUANG	6-10-2006



MODEL NO.	TSH-3655	TSH-3654A	TSH-3654B	TSH-3653	TSH-3653A
SCHEMATIC					

\* MATERIAL

TERMINAL 1 : BRASS  
 TERMINAL 2 : BRASS  
 TERMINAL 3 : BRASS  
 TERMINAL 10 : BRASS  
 TERMINAL 11 : BRASS  
 BUSHING : BRASS  
 SPRING : STAINLESS STEEL  
 HOUSING : PBT  
 COVER : PBT



**CHAMPWAY** 冠泰電子有限公司  
CHAMPWAY ELECTRONICS CO., LTD.

DESIGN	L.L.ZHANG	DATE	21-7-2005	SCALE	2:1
DRAWING	L.L.ZHANG	DATE	6-10-2006	MATERIAL	*
PART NAME	3.5mm STEREO JACK		TOLERANCE UNLESS	0.0±0.2	UNIT:
PART NO.	TSH-365		OTHERWISE SPECIFIED:	0.00±0.1 0.000±0.05	
CHECK		DATE		DWG. NO.	TZ\SH365-PBT/C
APPROVAL		DATE		SHEET	

F

E

D

C

B

A

DCF-04/A