

F

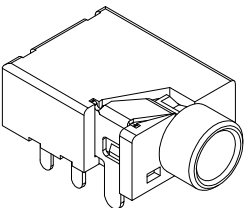
E

D

C

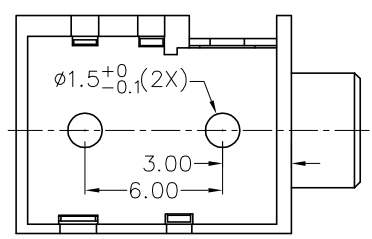
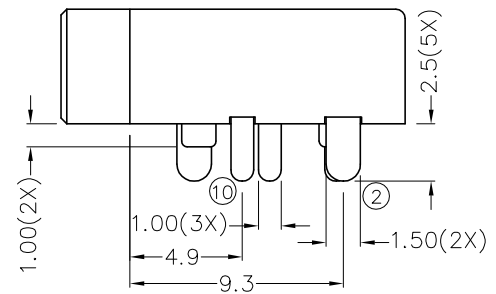
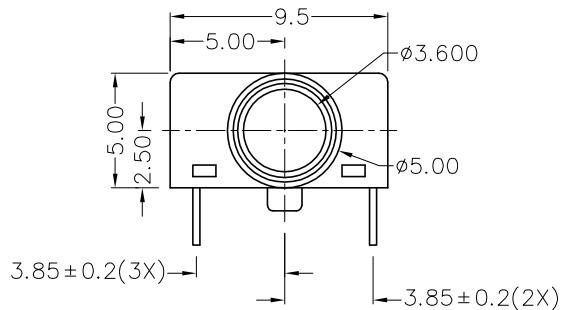
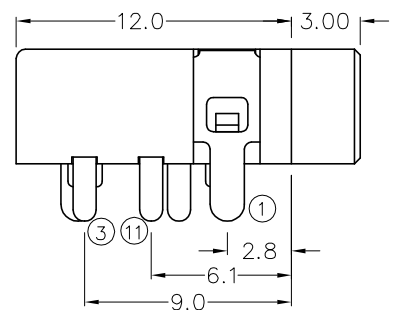
B

A

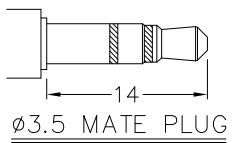
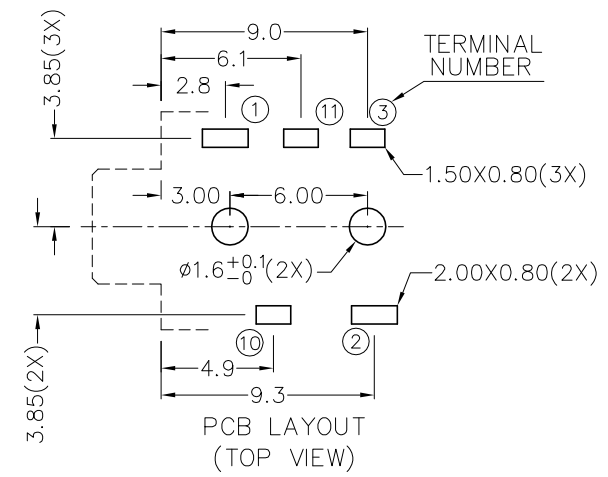


RoHS  
Compliant

ZONE	SYMBOL	REVISION	APPROVAL	DATE
		MODIFY DIM.	J.X.KUANG	2-2-2010



\*MATERIAL  
 TERMINAL 1 : COPPER ALLOY  
 TERMINAL 2 : COPPER ALLOY  
 TERMINAL 3 : COPPER ALLOY  
 TERMINAL 10 : BRASS  
 TERMINAL 11 : BRASS  
 HOUSING : PA66  
 COVER : PA66



MODEL NO.	TSH-3675	TSH-3674A	TSH-3674B	TSH-3673	TSH-3673A
SCHEMATIC					

**CHAMPWAY** 冠泰電子有限公司  
 CHAMPWAY ELECTRONICS CO., LTD.

DESIGN	J.X.KUANG	DATE	7-10-2003	SCALE	3:1
DRAWING	T.Y.LI	DATE	2-2-2010	MATERIAL	*
CHECK		DATE		DWG. NO.	TZ\SH367-PA66/C
APPROVAL		DATE		SHEET	

PART NAME	3.5mm STEREO JACK	TOLERANCE UNLESS	0.0±0.2	UNIT:	
PART NO.	TSH-367	OTHERWISE SPECIFIED:	0.00±0.1 0.000±0.05	mm	

F

E

D

C

B

A