

F

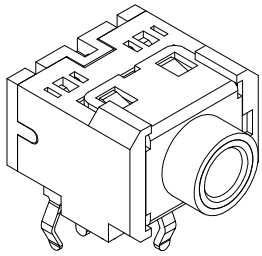
E

D

C

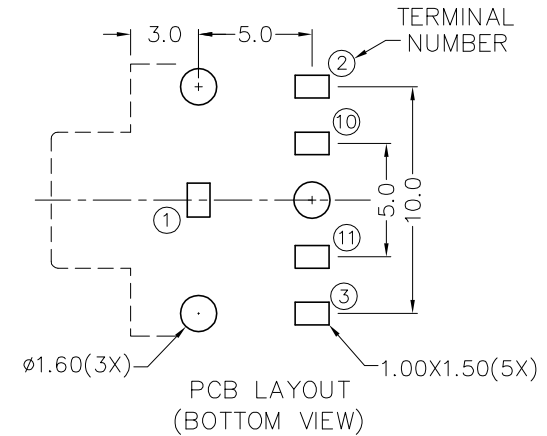
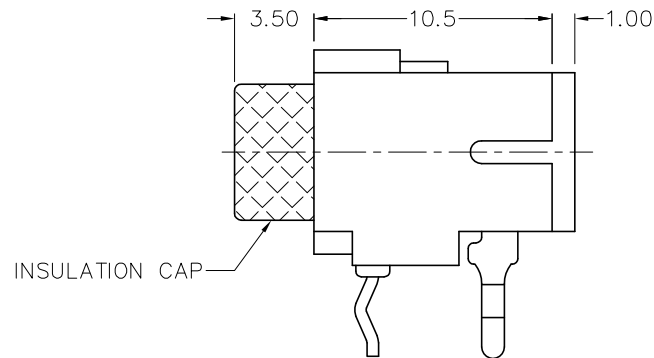
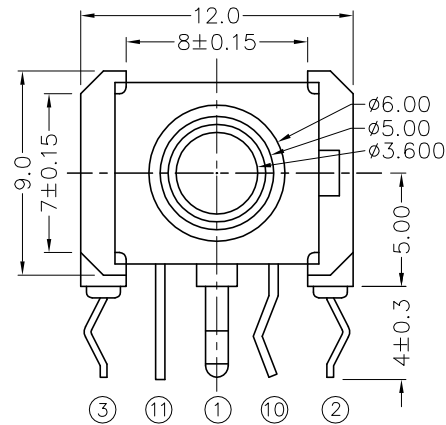
B

A



RoHS
Compliant

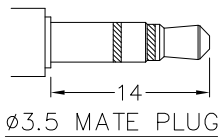
ZONE	SYMBOL	REVISION	APPROVAL	DATE
		ADD MATE PLUG	J.X.KUANG	6-10-2006



MODEL NO.	TSH-3685	TSH-3684A	TSH-3684B	TSH-3683	TSH-3683A
SCHEMATIC					

* MATERIAL

TERMINAL 1	: COLD ROLLED STEEL
TERMINAL 2	: COPPER ALLOY
TERMINAL 3	: COPPER ALLOY
TERMINAL 10	: BRASS
TERMINAL 11	: BRASS
BUSHING	: BRASS
SPRING	: STAINLESS STEEL
HOUSING	: PBT
COVER	: PBT
INSULATION CAP	: PBT



ø3.5 MATE PLUG



CHAMPWAY 冠泰電子有限公司
CHAMPWAY ELECTRONICS CO., LTD.

DESIGN	J.M.KWAN	DATE	7-10-2003	SCALE	3:1
DRAWING	L.L.ZHANG	DATE	6-10-2006	MATERIAL	*
CHECK		DATE		DWG. NO.	TZ\SH368-PBT/B
APPROVAL		DATE		SHEET	

PART NAME	3.5mm STEREO JACK	TOLERANCE UNLESS	0.0±0.2	UNIT:	mm
PART NO.	TSH-368	OTHERWISE SPECIFIED:	0.00±0.1 0.000±0.05		

F

E

D

C

B

A

DCF-04/A