

F

E

D

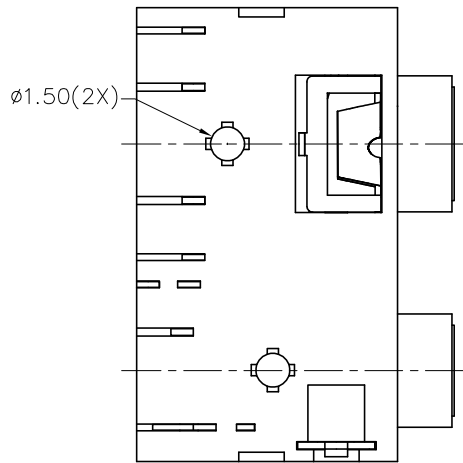
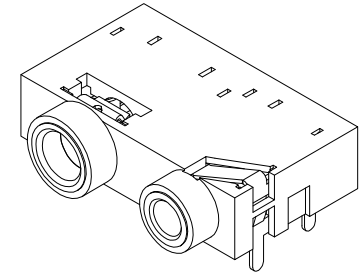
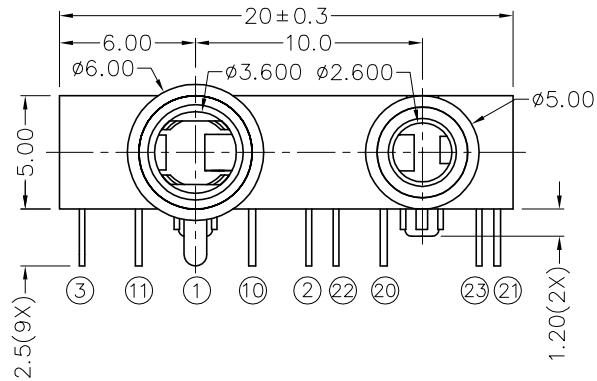
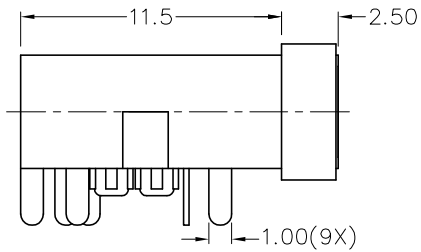
C

B

A

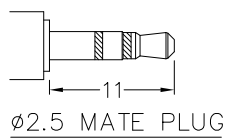
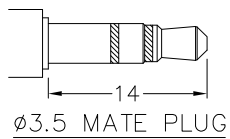
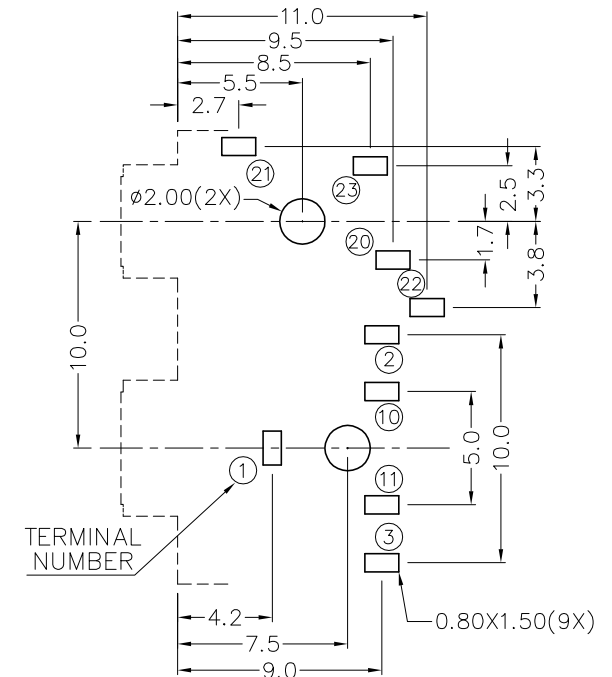
RoHS  
Compliant

ZONE	SYMBOL	REVISION	APPROVAL	DATE



\* MATERIAL

TERMINAL 1 : COPPER ALLOY  
 TERMINAL 2 : COPPER ALLOY  
 TERMINAL 3 : COPPER ALLOY  
 TERMINAL 10 : BRASS  
 TERMINAL 11 : BRASS  
 TERMINAL 20 : BRASS  
 TERMINAL 21 : COPPER ALLOY  
 TERMINAL 22 : COPPER ALLOY  
 TERMINAL 23 : COPPER ALLOY  
 BUSHING : BRASS  
 HOUSING : PBT



MODEL NO.	TSH-3705-4	TSH-3705-3	TSH-3703-4	TSH-3703-3
∅3.5				
SCHEMATIC	o1 o3 o11 o10 o2	o1 o3 o11 o10 o2	o1 o3 o2	o1 o3 o2
∅2.5				
SCHEMATIC	o21 o23 o20 o22	o21 o23 o20 o22	o21 o23 o20 o22	o21 o23 o20 o22



**CHAMPWAY** 冠泰電子有限公司  
CHAMPWAY ELECTRONICS CO., LTD.

DESIGN	L.L.ZHANG	DATE	13-9-2005	SCALE	3:1
DRAWING	T.Y.LI	DATE	13-7-2006	MATERIAL	*
CHECK		DATE		DWG. NO.	TZ\SH370-PBT/A
APPROVAL		DATE		SHEET	

PART NAME	3.5&2.5mm COMBINATION JACK	TOLERANCE UNLESS	0.0±0.2	UNIT:	mm
PART NO.	TSH-370	OTHERWISE SPECIFIED:	0.00±0.1 0.000±0.05		

F

E

D

C

B

A

DCF-04/A