

F

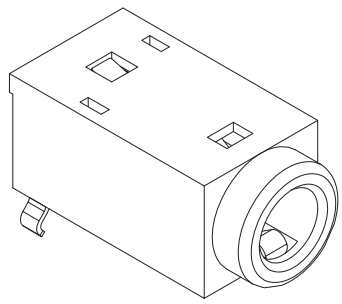
E

D

C

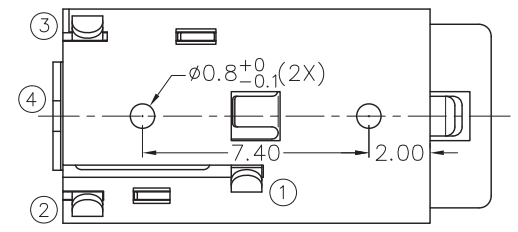
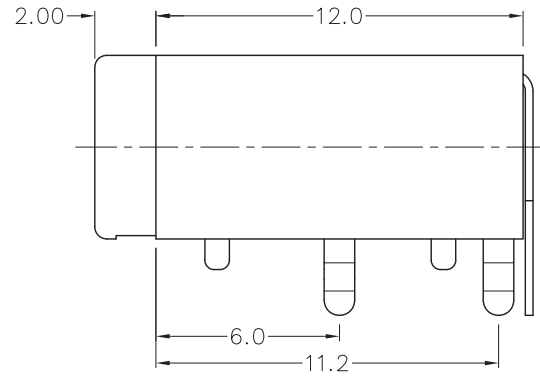
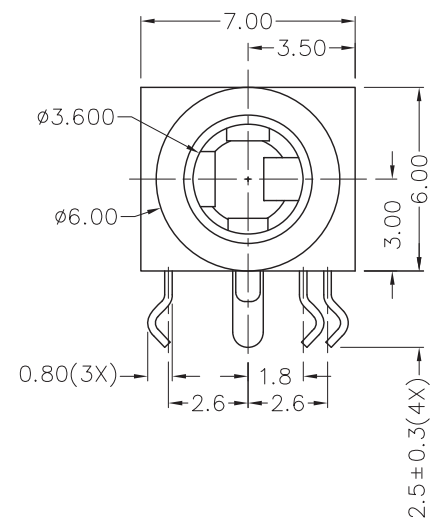
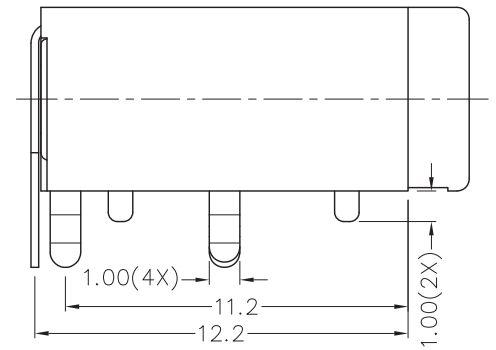
B

A

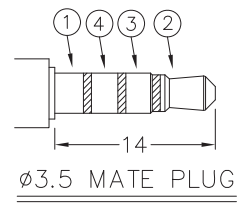
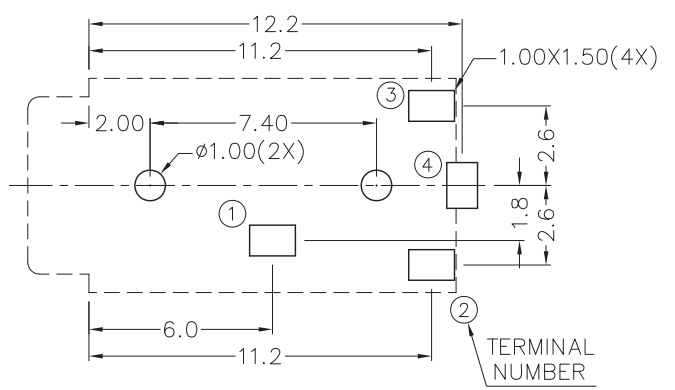


RoHS
Compliant

ZONE	SYMBOL	REVISION	APPROVAL	DATE
		UPDATE THE DWG.	J.X.KUANG	25-4-2012



* MATERIAL
 TERMINAL 1 : COPPER ALLOY
 TERMINAL 2 : COPPER ALLOY
 TERMINAL 3 : COPPER ALLOY
 TERMINAL 4 : COPPER ALLOY
 HOUSING : PBT



MODEL NO.	TSH-3724	TSH-3723
SCHEMATIC		

CHAMPWAY 冠泰電子有限公司
 CHAMPWAY ELECTRONICS CO., LTD.

DESIGN	K.Y.AU-YEUNG	DATE	7-10-2003	SCALE	4:1
DRAWING	T.Y.LI	DATE	25-4-2012	MATERIAL	*
CHECK		DATE		DWG. NO.	TZ\SH372-PBT/C
APPROVAL		DATE		SHEET	

PART NAME	3.5mm STEREO JACK	TOLERANCE UNLESS	0.0±0.2	UNIT:	
PART NO.	TSH-372	OTHERWISE SPECIFIED:	0.00±0.1 0.000±0.05	mm	

F

E

D

C

B

A